

Cambridgeport

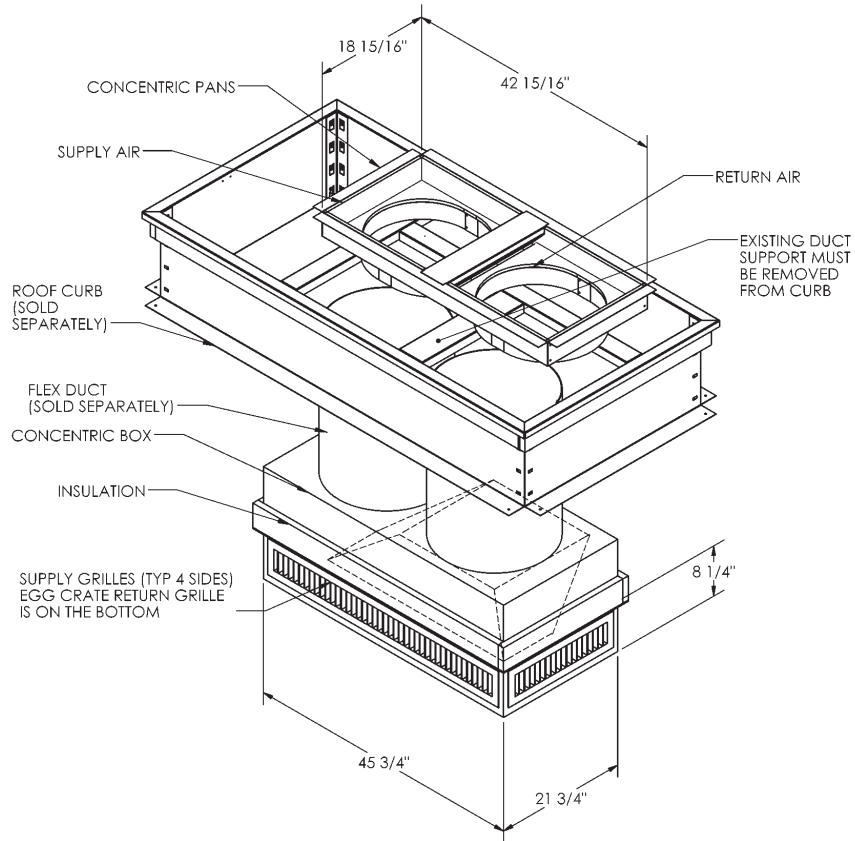
SUBMITTAL

SUBMITTED TO _____
 COMPANY _____
 JOB NAME _____
 EQUIPMENT _____
 SIGNATURE _____
 DATE _____

CONCENTRIC KITS DROP BOX FOR YORK ROOFTOP UNITS

BQ, BP, DJ, DH, DY, XJ, XP, ZJ, ZP 048-060
 BCH, DEE, DEG, DHE, DHG 048-060
 DEG, DCE, DM, DF 048-060

Description	York Units	Part #
Drop Box 18" flex	048-060	1009819



FEATURES

- CONCENTRIC INSERT PANS ARE INSULATED INTERNALLY AND SHIPPED ASSEMBLED
- CONCENTRIC BOX FABRICATED OF HEAVY GALVANIZED STEEL AND INTERNALLY INSULATED
- DOUBLE DEFLECTION GRILLE PAINTED OFF-WHITE
- CONCENTRIC BOX AND DIFFUSER ARE SHIPPED ASSEMBLED

Nominal CFM	Throw in Ft.	
	Min	Max
2,000	20	30