

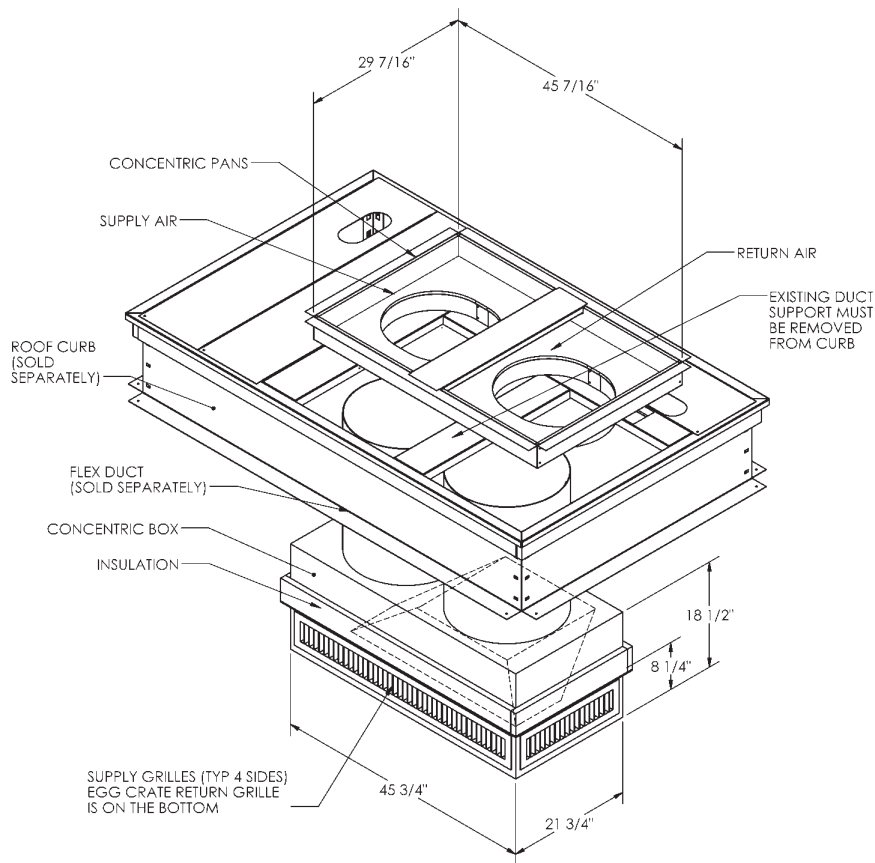
Cambridgeport

SUBMITTAL

SUBMITTED TO _____
 COMPANY _____
 JOB NAME _____
 EQUIPMENT _____
 SIGNATURE _____
 DATE _____

CONCENTRIC KIT DROP BOX FLEX FOR YORK ROOFTOP UNITS BP, DF, DH, DM 078 XH, XP, ZH, ZP 078

Description	York Units	Part #
Drop Box 18" flex	078	1009821



FEATURES

- CONCENTRIC INSERT PANS ARE INSULATED INTERNALLY AND SHIPPED ASSEMBLED
- CONCENTRIC BOX FABRICATED OF HEAVY GALVANIZED STEEL AND INTERNALLY INSULATED
- FLUSH MOUNT DIFFUSER WITH FIXED BLADES
- CONCENTRIC BOX AND DIFFUSER ARE SHIPPED ASSEMBLED

Nominal CFM	Throw in Ft.	
	Min	Max
2,000	20	30