

Cambridgeport

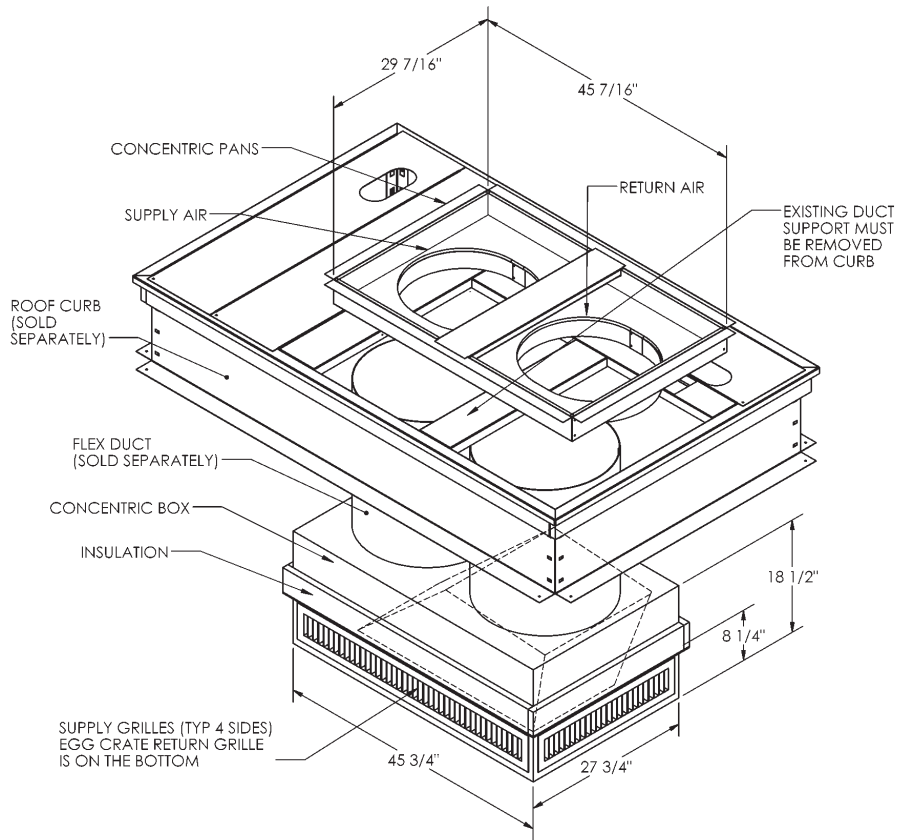
SUBMITTAL

SUBMITTED TO _____
 COMPANY _____
 JOB NAME _____
 EQUIPMENT _____
 SIGNATURE _____
 DATE _____

CONCENTRIC KIT DROP BOX FLEX FOR YORK ROOFTOP UNITS

BP, DF, DH, DM 078-102
 XH, XP, ZH, ZP 078-102
 DR 090-102

Description	York Units	Part #
Drop Box 20" flex	078-102	1009822



FEATURES

CONCENTRIC INSERT PANS ARE INSULATED INTERNALLY AND SHIPPED ASSEMBLED
 CONCENTRIC BOX FABRICATED OF HEAVY GALVANIZED STEEL AND INTERNALLY INSULATED
 FLUSH MOUNT DIFFUSER WITH FIXED BLADES
 CONCENTRIC BOX AND DIFFUSER ARE SHIPPED ASSEMBLED

Nominal CFM	Throw in Ft.	
	Min	Max
2,000	23	30