

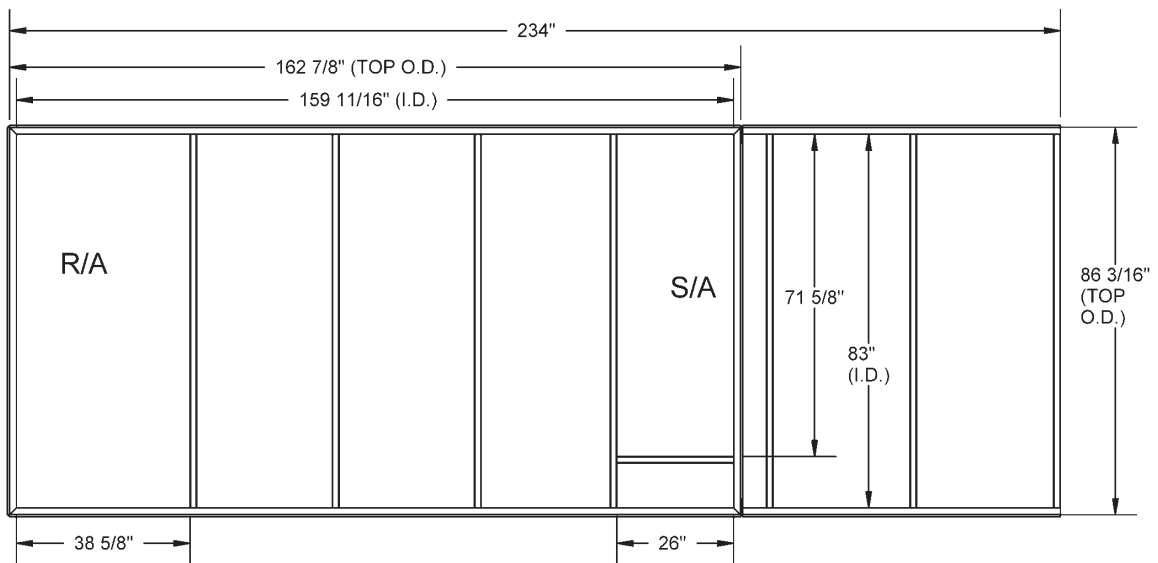
# Cambridgeport

## SUBMITTAL

SUBMITTED TO \_\_\_\_\_  
 COMPANY \_\_\_\_\_  
 JOB NAME \_\_\_\_\_  
 EQUIPMENT \_\_\_\_\_  
 SIGNATURE \_\_\_\_\_  
 DATE \_\_\_\_\_

## ISOLATION RAILS FOR YORK ROOFTOP UNITS Y22, Y23, Y24 Z22, Z23, Z24 FULL PERIMETER

Description	Part #
1" Deflection KD	1009825
2" Deflection KD	1009827
1" Deflection Assem	1009826
2" Deflection Assem	1009828



## FEATURES

- SHIPPED ASSEMBLED OR KNOCK DOWN
- MITERED TOP CORNERS
- FABRICATED OF ALUMINUM EXTRUSION
- FULL PERIMETER WEATHER SEAL
- 1" OR 2" STATIC DEFLECTION
- DUCT SUPPORTS INCLUDED
- ROOF CURB SOLD SEPARATELY
- CANVAS DUCT CONNECTIONS (NOT INCLUDED)

