

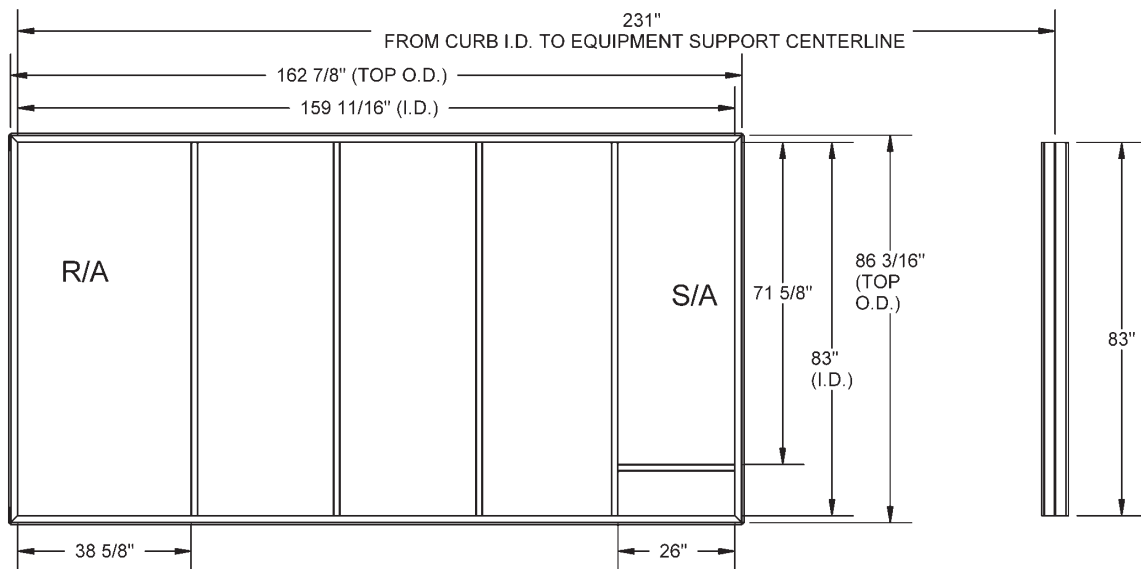
Cambridgeport

SUBMITTAL

SUBMITTED TO _____
 COMPANY _____
 JOB NAME _____
 EQUIPMENT _____
 SIGNATURE _____
 DATE _____

ISOLATION RAILS FOR YORK ROOFTOP UNITS Y22, Y23, Y24 Z22, Z23, Z24 PARTIAL CURB

Description	Part #
1" Deflection KD	1009829
2" Deflection KD	1009831
1" Deflection Assem	1009830
2" Deflection Assem	1009832



FEATURES

- SHIPPED ASSEMBLED OR KNOCK DOWN
- MITERED TOP CORNERS
- FABRICATED OF ALUMINUM EXTRUSION
- FULL PERIMETER WEATHER SEAL
- 1" OR 2" STATIC DEFLECTION
- DUCT SUPPORTS INCLUDED
- ROOF CURB SOLD SEPARATELY
- CANVAS DUCT CONNECTIONS (NOT INCLUDED)

