

Cambridgeport

SUBMITTAL

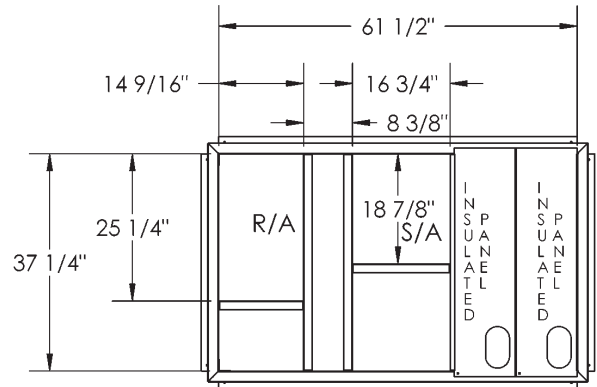
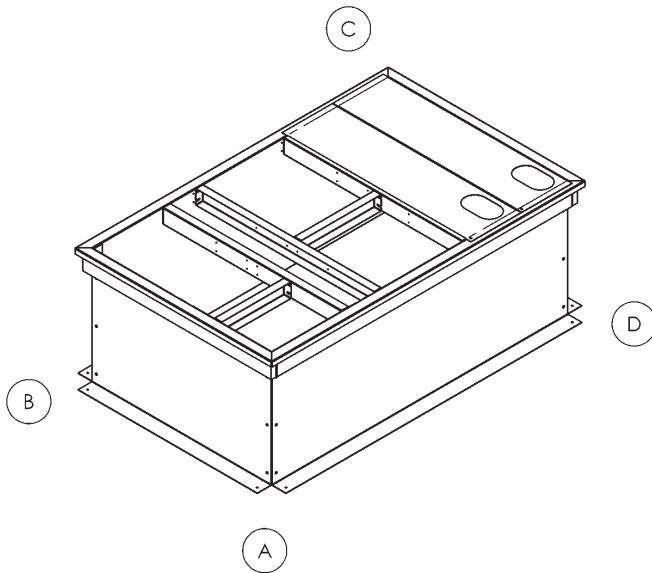
SUBMITTED TO _____
 COMPANY _____
 JOB NAME _____
 EQUIPMENT _____
 SIGNATURE _____
 DATE _____

SLOPE ROOF CURB FOR TRANE ROOFTOP UNITS

Y*C, T*C 036A, 048A, 060A
 WSC 036A, 048A

PART

Slope Roof Curb over 1" up to 2" per Ft. 1009994
 Slope Roof Curb 2" up to 3" per Ft. 1009995



HEIGHT OF CORNER A	HEIGHT OF CORNER B	HEIGHT OF CORNER C	HEIGHT OF CORNER D

