

# Cambridgeport

## SUBMITTAL

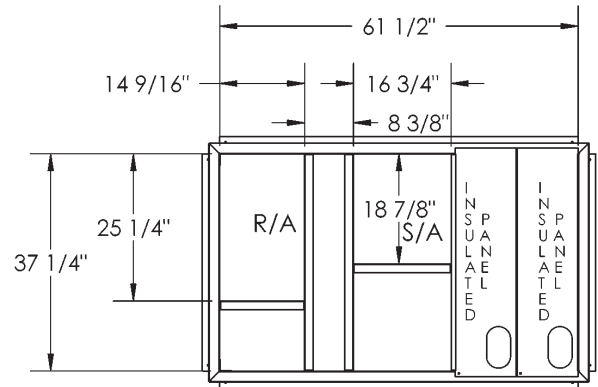
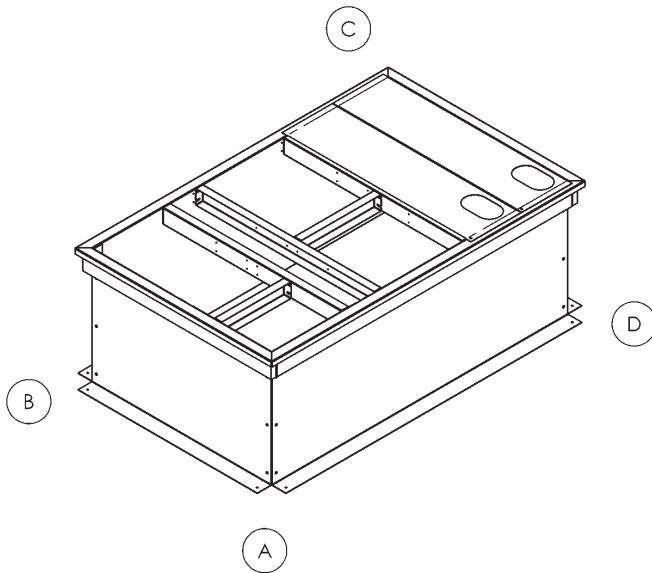
SUBMITTED TO \_\_\_\_\_  
 COMPANY \_\_\_\_\_  
 JOB NAME \_\_\_\_\_  
 EQUIPMENT \_\_\_\_\_  
 SIGNATURE \_\_\_\_\_  
 DATE \_\_\_\_\_

## SLOPE ROOF CURB FOR TRANE ROOFTOP UNITS

Y\*C, T\*C 036A, 048A, 060A  
 WSC 036A, 048A

## PART #

Slope Roof Curb over 1" up to 2" per Ft. 1009994  
 Slope Roof Curb 2" up to 3" per Ft. 1009995



HEIGHT OF CORNER A	HEIGHT OF CORNER B	HEIGHT OF CORNER C	HEIGHT OF CORNER D

