

DATE: \_\_\_\_\_

COMPANY: \_\_\_\_\_

JOB NAME: \_\_\_\_\_

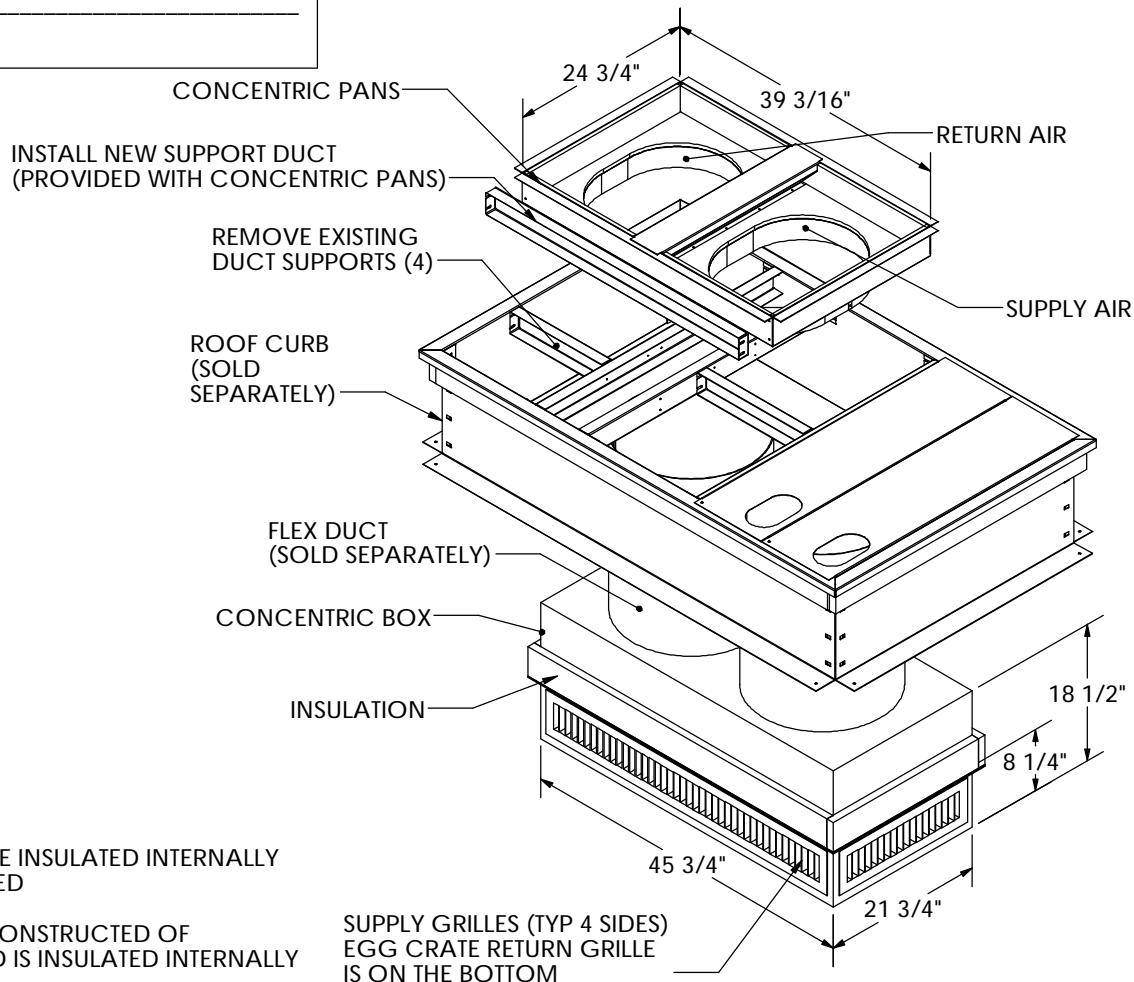
SUBMITTED BY: \_\_\_\_\_

NOTES: \_\_\_\_\_

\_\_\_\_\_

DROP BOX FLEX DUCT CONCENTRIC KIT  
SUBMITTAL DATA FOR:

**TRANE UNITS**  
**Y\*C,T\*C 036, 048A, 060A**  
**WSC 036A, 048A**



FEATURES:

CONCENTRIC PANS ARE INSULATED INTERNALLY AND SHIPPED ASSEMBLED

CONCENTRIC BOX IS CONSTRUCTED OF GALVANIZED STEEL AND IS INSULATED INTERNALLY

LOWER BOX IS FACTORY PAINTED WHITE

CONCENTRIC BOX AND DIFFUSER GRILLE ARE SHIPPED ASSEMBLED

CAMBRIDGEPORT PART NUMBER	DUCT SIZE	APPLICABLE CURB MODEL NUMBERS	FLEX (SOLD SEPERATELY)	NOMINAL CFM	THROW IN FT.	
					MIN	MAX
1009997	2 @ 18"	BAYCURB042	1000080 (2-18")	1200-2000	18	30

NOTES:

- 1 - INSTALL INSULATED ADAPTER PANS BEFORE A/C UNIT IS PLACED ON CURB.
- 2 - FIELD BAFFLES MAY BE REQUIRED FOR BALANCING
- 3 - CONCENTRIC BOX MUST BE FIELD SUPPORTED

Drawn By: CRF  
Date: 1/9/08 Rev: 0  
KML 1/7/10 Rev 1

**Cambridgeport**  
**AIR SYSTEMS**

MEMPHIS, TN 38118

PHONE 1-877-648-2872 FAX 901-566-0035

SALISBURY, MA 01952

PHONE 1-800-648-2872 FAX 978-462-9189