

DATE: _____

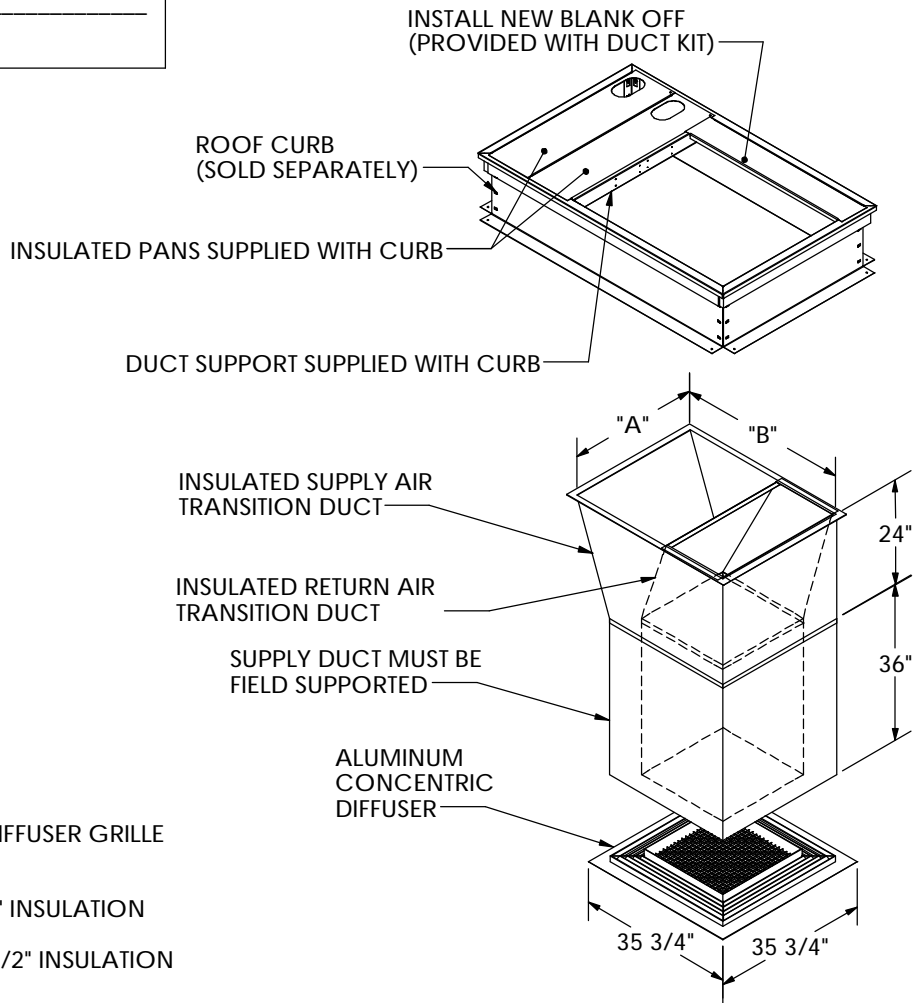
COMPANY: _____

JOB NAME: _____

SUBMITTED BY: _____

NOTES: _____

FLUSH MOUNT HARD DUCT
 SUBMITTAL DATA FOR:
TRANE UNITS
Y*C,T*C 036A,048A,060A
WSC 036A, 048A



- FEATURES:
- FLUSH MOUNT PAINTED WHITE DIFFUSER GRILLE WITH FIXED BLADES
 - SUPPLY DUCT INSULATED WITH 1" INSULATION
 - RETURN DUCT INSULATED WITH 1/2" INSULATION

CAMBRIDGEPORT PART NUMBER	APPLICABLE CURB MODEL NUMBERS	"A"	"B"	DIFFUSER SIZE	RETURN GRILL	NOMINAL CFM	THROW IN FT.	
							MIN	MAX
1009998	BAYCURB042	30 1/4"	39"	30" X 30"	21" X 21"	2,000	10'	22'

- NOTES:
- 1 - DO NOT INSTALL FACTORY SUPPLIED DUCT SUPPORTS UNLESS NOTED IN ASSEMBLY INSTRUCTIONS
 - 2 - INSTALL CONCENTRIC DUCTWORK BEFORE SETTING A/C UNIT IN PLACE
 - 3 - PLACE GASKETING ON ALL SURFACES OF DUCT FLANGE AND CURB
 - 4 - ALIGN TRANE UNIT SUPPLY OPENING TO MATCH SUPPLY OPENING OF CONCENTRIC DUCT KIT
 - 5 - FIELD BAFFLES MAY BE REQUIRED FOR BALANCING
 - 6 - FOR INSTALLATION SEE ASSEMBLY INSTRUCTIONS

Drawn By: CRF
 Date: 3/7/08 Rev: 0

Cambridgeport
AIR SYSTEMS

MEMPHIS, TN 38118

PHONE 1-877-648-2872 FAX 901-566-0035

SALISBURY, MA 01952

PHONE 1-800-648-2872 FAX 978-462-9189