

Cambridgeport

SUBMITTAL

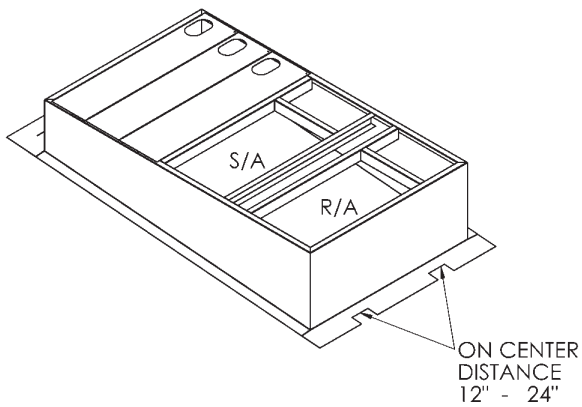
SUBMITTED TO _____
COMPANY _____
JOB NAME _____
EQUIPMENT _____
SIGNATURE _____
DATE _____

ROOF CURB FOR METAL RIB / STANDING SEAM DECKS TRANE ROOFTOP UNITS

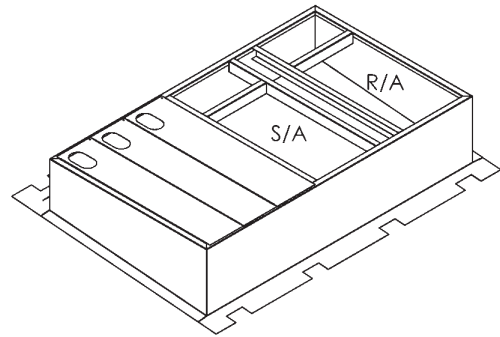
Y*C, T*C 072A, 090A, 092A
Y*C, T*C 102A, 120A
YHC 048E, 060E, 072E
WSC 072A, 102A, 120A

**PART #
1010004**

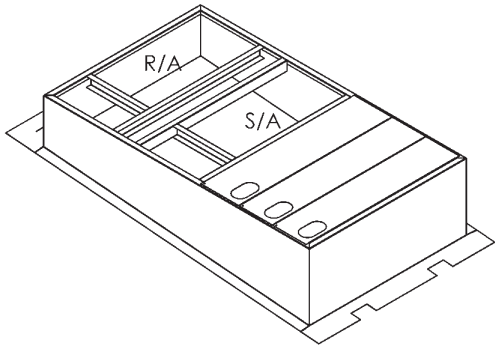
(A)



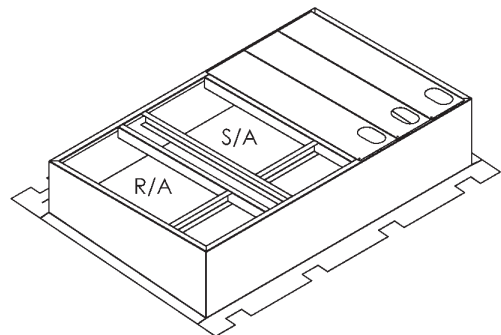
(B)



(C)



(D)



Confirm the slope direction and duct orientation by circling one of the four diagrams above.

A manufactures drawing and or sample of the roof deck is require.