

DATE: _____

COMPANY: _____

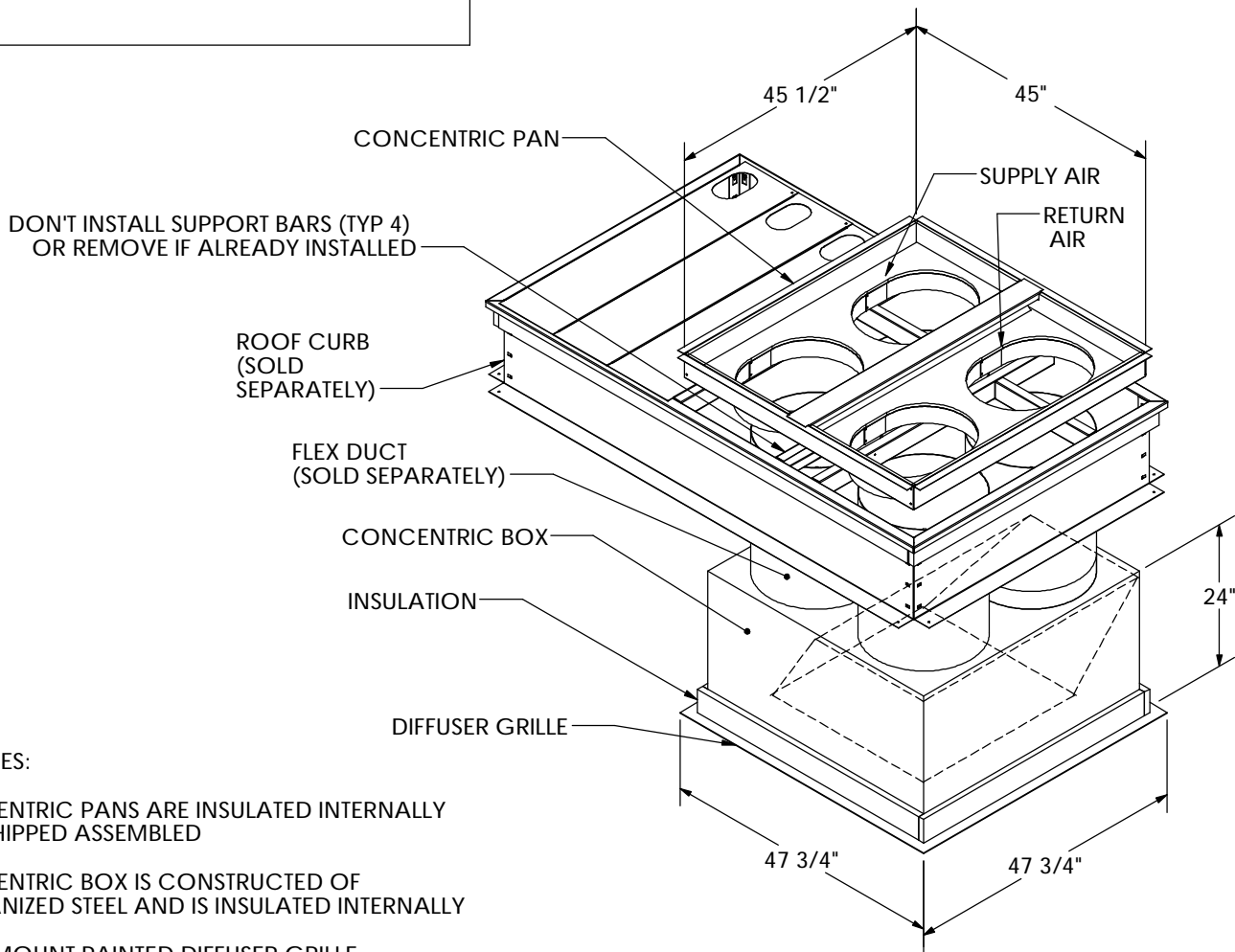
JOB NAME: _____

SUBMITTED BY: _____

NOTES: _____

FLUSH MOUNT FLEX DUCT CONCENTRIC KIT
SUBMITTAL DATA FOR:

TRANE UNITS
Y*C, T*C, WSC 120A



DON'T INSTALL SUPPORT BARS (TYP 4)
OR REMOVE IF ALREADY INSTALLED

ROOF CURB
(SOLD
SEPARATELY)

FLEX DUCT
(SOLD SEPARATELY)

CONCENTRIC BOX

INSULATION

DIFFUSER GRILLE

FEATURES:

CONCENTRIC PANS ARE INSULATED INTERNALLY
AND SHIPPED ASSEMBLED

CONCENTRIC BOX IS CONSTRUCTED OF
GALVANIZED STEEL AND IS INSULATED INTERNALLY

FLUSH MOUNT PAINTED DIFFUSER GRILLE

CONCENTRIC BOX AND DIFFUSER GRILLE ARE SHIPPED ASSEMBLED

CAMBRIDGEPORT PART NUMBER	DUCT SIZE	APPLICABLE TRANE UNIT MODEL NUMBERS	FLEX (SOLD SEPARATELY)	NOMINAL CFM	THROW IN FT.	
					MIN	MAX
1010009	4 @ 18"	BAYCURB043	1000098 (4-18")	4000	18	42

NOTES:

- 1 - INSTALL INSULATED ADAPTER PANS BEFORE A/C UNIT IS PLACED ON CURB.
- 2 - FIELD BAFFLES MAY BE REQUIRED FOR BALANCING
- 3 - CONCENTRIC BOX MUST BE FIELD SUPPORTED

Drawn By: CRF
Date: 1/9/08 Rev: 0
CRF 07/02/08 Rev: 1
KML 01/07/10 Rev: 2

Cambridgeport

AIR SYSTEMS

MEMPHIS, TN 38118

PHONE 1-877-648-2872 FAX 901-566-0035

SALISBURY, MA 01952

PHONE 1-800-648-2872 FAX 978-462-9189