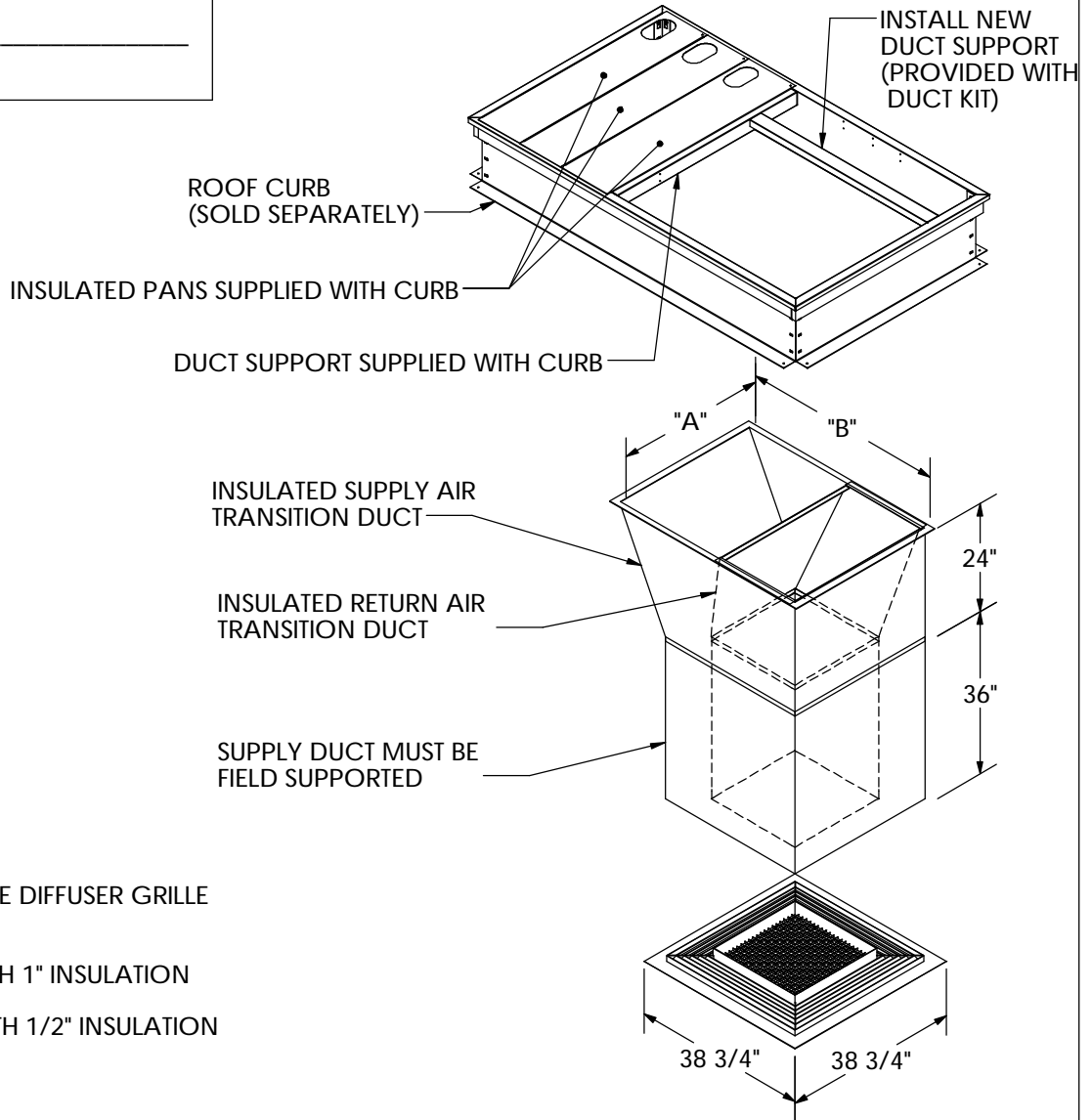


DATE: _____
 COMPANY: _____
 JOB NAME: _____
 SUBMITTED BY: _____
 NOTES: _____

**FLUSH MOUNT HARD DUCT
 SUBMITTAL DATA FOR:
 TRANE UNITS
 Y*C,T*C 072A,090A,092A
 YHC 048E,060E,072E
 WSC 072A**



FEATURES:

FLUSH MOUNT PAINTED WHITE DIFFUSER GRILLE WITH FIXED BLADES

SUPPLY DUCT INSULATED WITH 1" INSULATION

RETURN DUCT INSULATED WITH 1/2" INSULATION

CAMBRIDGEPORT PART NUMBER	APPLICABLE CURB MODEL NUMBERS	"A"	"B"	DIFFUSER SIZE	RETURN GRILL	NOMINAL CFM	THROW IN FT.	
							MIN	MAX
1010014	BAYCURB043	33 1/4"	45"	33" X 33"	21" X 21"	3,000	14'	30'

NOTES:

- 1 - DO NOT INSTALL FACTORY SUPPLIED DUCT SUPPORTS UNLESS NOTED IN ASSEMBLY INSTRUCTIONS
- 2 - INSTALL CONCENTRIC DUCTWORK BEFORE SETTING A/C UNIT IN PLACE
- 3 - PLACE GASKETING ON ALL SURFACES OF DUCT FLANGE AND CURB
- 4 - ALIGN TRANE UNIT SUPPLY OPENING TO MATCH SUPPLY OPENING OF CONCENTRIC DUCT KIT
- 5 - FIELD BAFFLES MAY BE REQUIRED FOR BALANCING
- 6 - FOR INSTALLATION SEE ASSEMBLY INSTRUCTIONS

Drawn By: CRF
 Date: 2/13/08 Rev: 0

**Cambridgeport
 AIR SYSTEMS**

MEMPHIS, TN 38118

PHONE 1-877-648-2872 FAX 901-566-0035

SALISBURY, MA 01952

PHONE 1-800-648-2872 FAX 978-462-9189