

DATE: _____

COMPANY: _____

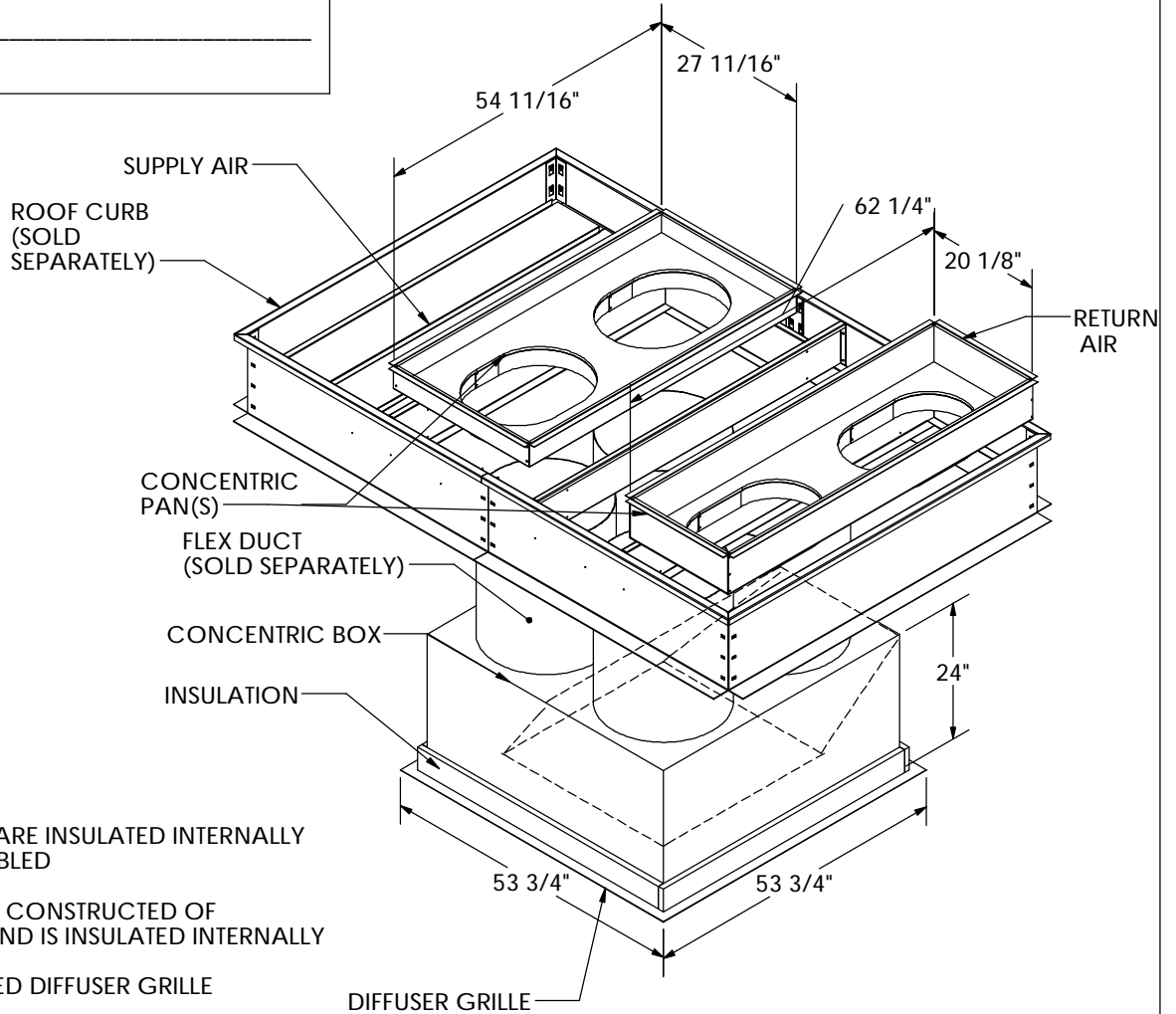
JOB NAME: _____

SUBMITTED BY: _____

NOTES: _____

FLUSH MOUNT FLEX DUCT CONCENTRIC KIT SUBMITTAL DATA FOR:

TRANE UNITS YCD, TCD, 210C



FEATURES:

CONCENTRIC PANS ARE INSULATED INTERNALLY AND SHIPPED ASSEMBLED

CONCENTRIC BOX IS CONSTRUCTED OF GALVANIZED STEEL AND IS INSULATED INTERNALLY

FLUSH MOUNT PAINTED DIFFUSER GRILLE WITH FIXED BLADES

CONCENTRIC BOX AND DIFFUSER GRILLE ARE SHIPPED ASSEMBLED

CAMBRIDGEPORT PART NUMBER	DUCT SIZE	APPLICABLE CURB MODEL NUMBERS	FLEX (SOLD SEPARATELY)	NOMINAL CFM	THROW IN FT.	
					MIN	MAX
1010026	4 @ 20"	BAYCURB026	1000099 (4-20")	7000	18	36

NOTES:

- 1 - INSTALL INSULATED ADAPTER PANS BEFORE A/C UNIT IS PLACED ON CURB.
- 2 - FIELD BAFFLES MAY BE REQUIRED FOR BALANCING
- 3 - CONCENTRIC BOX MUST BE FIELD SUPPORTED

Drawn By: CRF
Date: 1/23/08 Rev: 0
KML 1/7/10 Rev 1

Cambridgeport

AIR SYSTEMS

MEMPHIS, TN 38118

PHONE 1-877-648-2872 FAX 901-566-0035

SALISBURY, MA 01952

PHONE 1-800-648-2872 FAX 978-462-9189