

# Cambridgeport

## SUBMITTAL

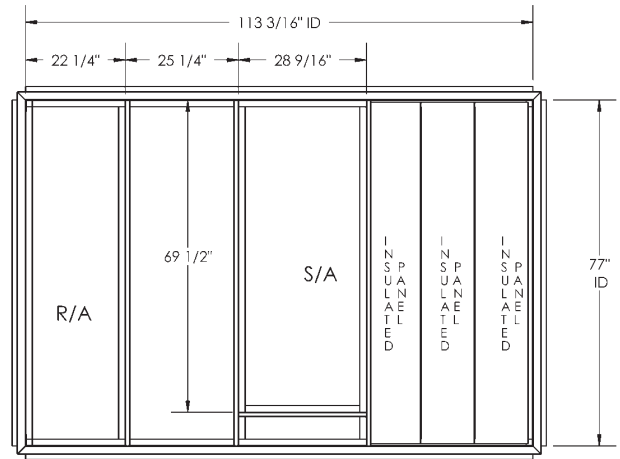
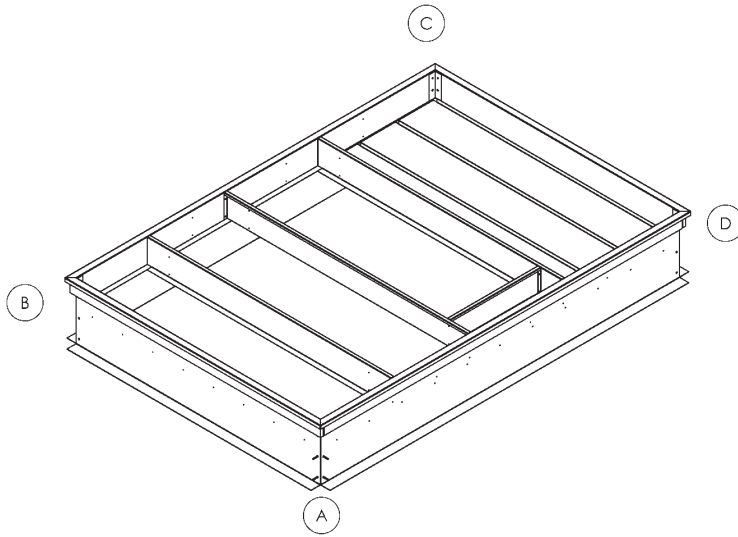
SUBMITTED TO \_\_\_\_\_  
 COMPANY \_\_\_\_\_  
 JOB NAME \_\_\_\_\_  
 EQUIPMENT \_\_\_\_\_  
 SIGNATURE \_\_\_\_\_  
 DATE \_\_\_\_\_

## SLOPE ROOF CURB FOR TRANE ROOFTOP UNITS

YCD, TCD 181C, 211C, 240B  
 YCD, TCD 241C, 300B, 301C  
 WCD 240B

## PART #

Slope Roof Curb over 1" up to 2" per Ft. 1010035  
 Slope Roof Curb 2" up to 3" per Ft. 1010036



HEIGHT OF CORNER A	HEIGHT OF CORNER B	HEIGHT OF CORNER C	HEIGHT OF CORNER D

