

Cambridgeport

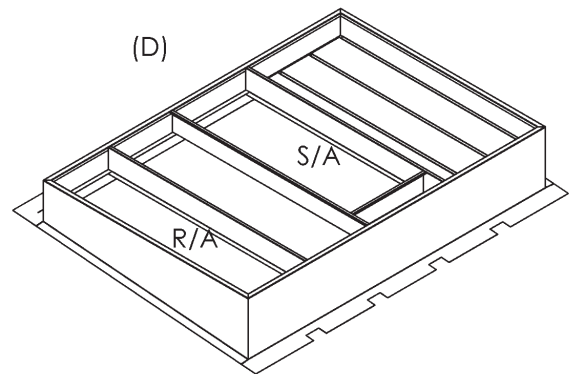
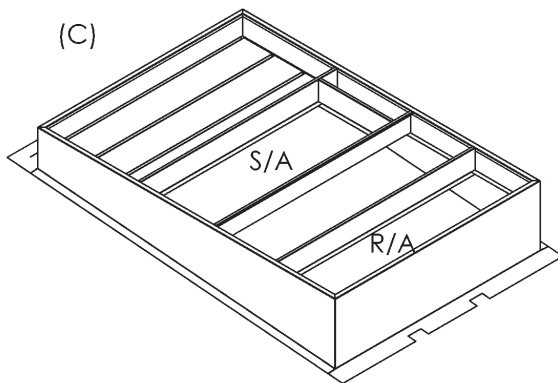
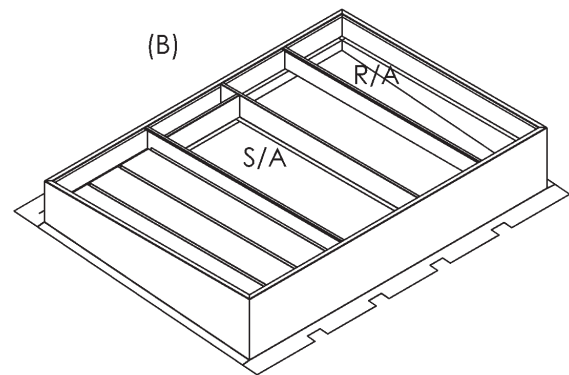
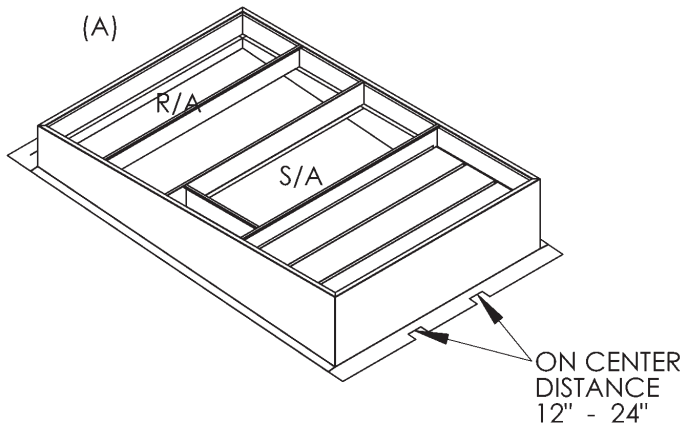
SUBMITTAL

SUBMITTED TO _____
COMPANY _____
JOB NAME _____
EQUIPMENT _____
SIGNATURE _____
DATE _____

ROOF CURB FOR METAL RIB / STANDING SEAM DECKS TRANE ROOFTOP UNITS

YCD, TCD 181C, 211C, 240B
YCD, TCD 241C, 300B, 301C
WCD 240B

**PART #
1010037**



Confirm the slope direction and duct orientation by circling one of the four diagrams above.

A manufacturers drawing and or sample of the roof deck is require.