

DATE: \_\_\_\_\_

COMPANY: \_\_\_\_\_

JOB NAME: \_\_\_\_\_

SUBMITTED BY: \_\_\_\_\_

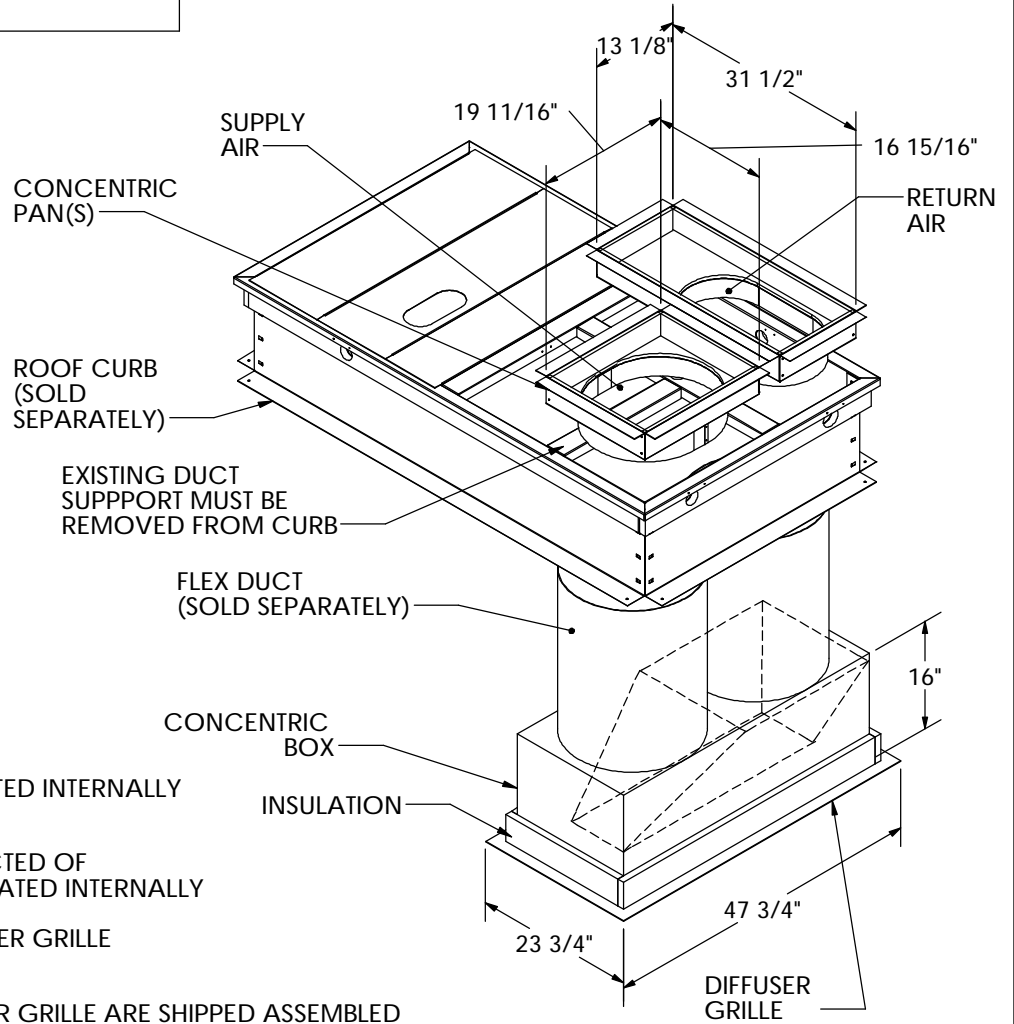
NOTES: \_\_\_\_\_

\_\_\_\_\_

**FLUSH MOUNT FLEX DUCT CONCENTRIC KIT  
SUBMITTAL DATA FOR:**

**CARRIER UNITS  
48/50 GJ, HJ, TJ, TF, TM 004-007**

**BRYANT UNITS  
548C, D, F; 551A, B; 558C, D, F 036-072  
580C, D, F; 581A, B; 549B 036-072**



**FEATURES:**

- CONCENTRIC PANS ARE INSULATED INTERNALLY AND SHIPPED ASSEMBLED
- CONCENTRIC BOX IS CONSTRUCTED OF GALVANIZED STEEL AND IS INSULATED INTERNALLY
- FLUSH MOUNT PAINTABLE DIFFUSER GRILLE WITH FIXED BLADES
- CONCENTRIC BOX AND DIFFUSER GRILLE ARE SHIPPED ASSEMBLED

CAMBRIDGEPORT PART NUMBER	DUCT SIZE	APPLICABLE CURB MODEL NUMBERS	FLEX (SOLD SEPARATELY)	NOMINAL CFM	THROW IN FT.	
					MIN	MAX
1010204	2 @ 18"	CRRFCURB001A01SL	1000080 (2-18")	1200-2400	11	26

**NOTES:**

- 1 - INSTALL INSULATED ADAPTER PANS BEFORE A/C UNIT IS PLACED ON CURB.
- 2 - FIELD BAFFLES MAY BE REQUIRED FOR BALANCING
- 3 - CONCENTRIC BOX MUST BE FIELD SUPPORTED

Drawn By: CJT  
Date: 12/11/07 Rev: 0  
KML 1/7/10 Rev 1

# Cambridgeport

## AIR SYSTEMS

MEMPHIS, TN 38118

PHONE 1-877-648-2872 FAX 901-566-0035

SALISBURY, MA 01952

PHONE 1-800-648-2872 FAX 978-462-9189