

DATE: _____

COMPANY: _____

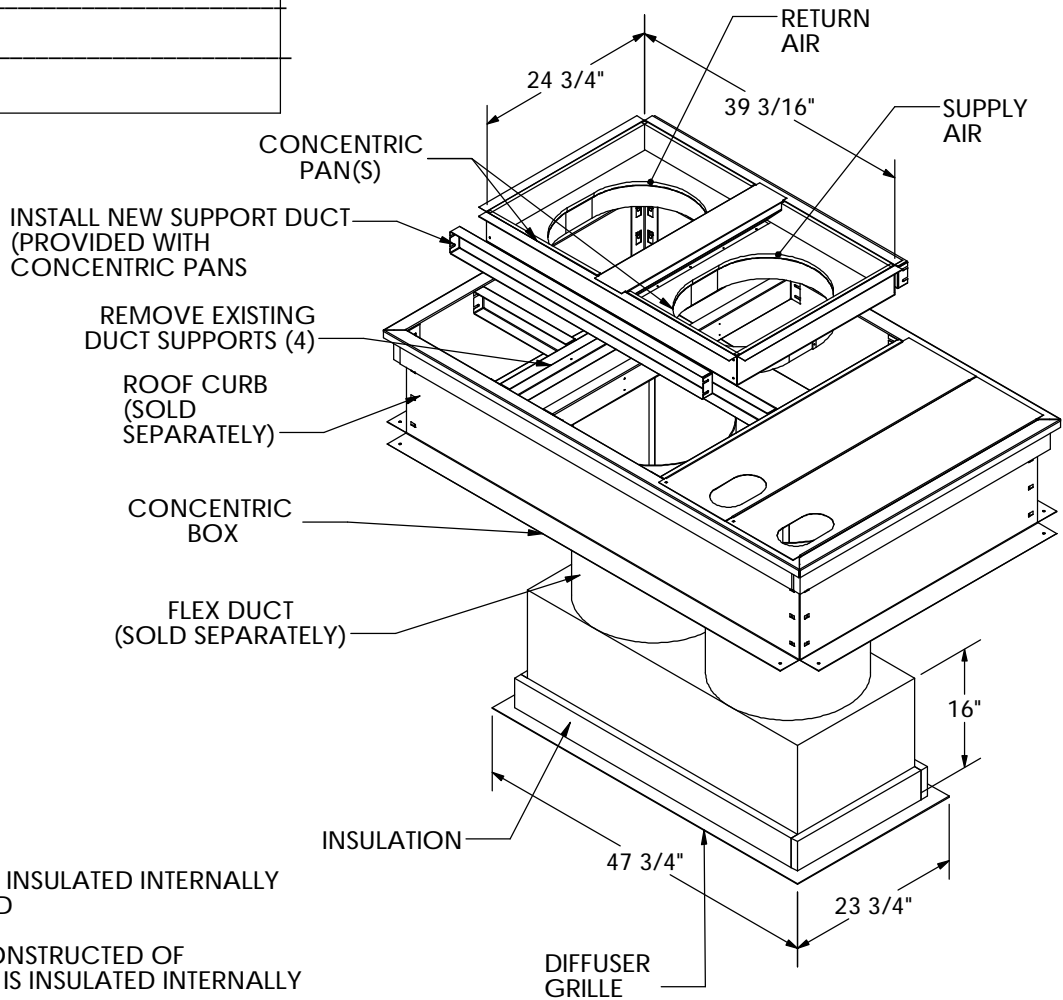
JOB NAME: _____

SUBMITTED BY: _____

NOTES: _____

**FLUSH MOUNT FLEX DUCT CONCENTRIC KIT
SUBMITTAL DATA FOR:**

TRANE UNITS
Y*C, T*C, 036A, 048A, 060A
WSC 036A,048A



FEATURES:

CONCENTRIC PANS ARE INSULATED INTERNALLY AND SHIPPED ASSEMBLED

CONCENTRIC BOX IS CONSTRUCTED OF GALVANIZED STEEL AND IS INSULATED INTERNALLY

FLUSH MOUNT PAINTED DIFFUSER GRILLE WITH FIXED BLADES

CONCENTRIC BOX AND DIFFUSER GRILLE ARE SHIPPED ASSEMBLED

| CAMBRIDGEPORT PART NUMBER | DUCT SIZE | APPLICABLE CURB MODEL NUMBERS | FLEX (SOLD SEPARATELY) | NOMINAL CFM | THROW IN FT. | |
|---------------------------|-----------|-------------------------------|------------------------|-------------|--------------|-----|
| | | | | | MIN | MAX |
| 1010216 | 2@ 18" | BAYCURB042 | 1000080 (2-18") | 1200-2000 | 11 | 24 |

NOTES:

- 1 - INSTALL INSULATED ADAPTER PANS BEFORE A/C UNIT IS PLACED ON CURB.
- 2 - FIELD BAFFLES MAY BE REQUIRED FOR BALANCING
- 3 - CONCENTRIC BOX MUST BE FIELD SUPPORTED

Drawn By: CJT
 Date:03/03/08 Rev: 0
 KML 1/7/10 Rev 1

Cambridgeport

AIR SYSTEMS

MEMPHIS, TN 38118

PHONE 1-877-648-2872 FAX 901-566-0035

SALISBURY, MA 01952

PHONE 1-800-648-2872 FAX 978-462-9189