

DATE: _____
 COMPANY: _____
 JOB NAME: _____
 SUBMITTED BY: _____
 NOTES: _____

ADJUSTABLE ROOF CURB SUBMITTAL #1010268

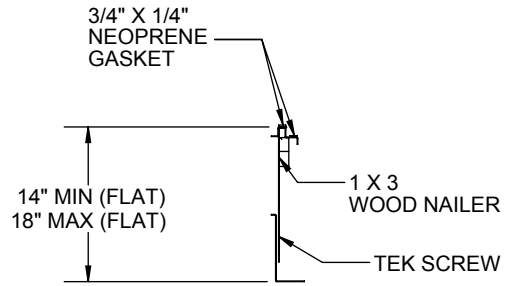
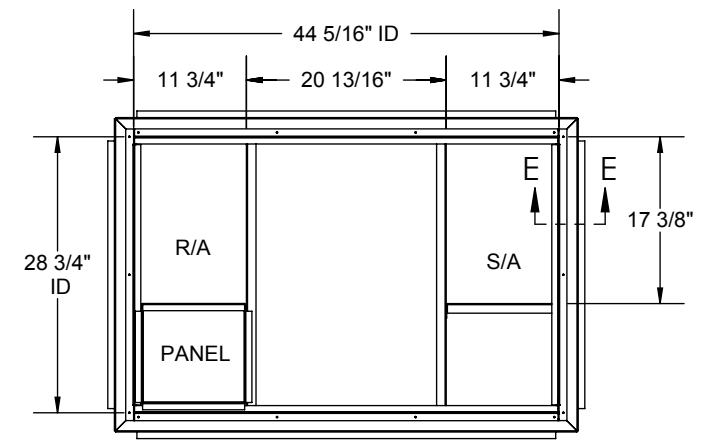
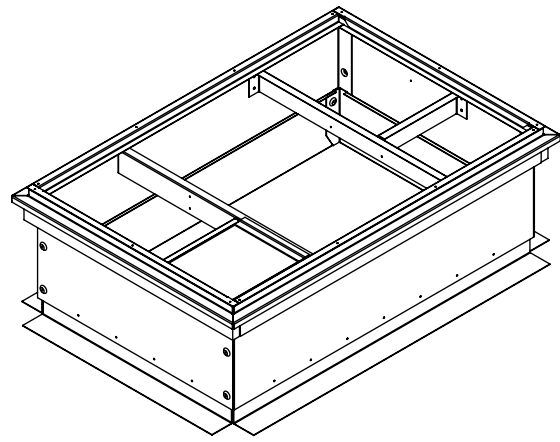
CARRIER 7A

ADJ. CURB ASSEMBLY NUMBER
 1010268

REV: _____

Drawn By: CJT
 Drawn Date: 03/19/08

ESTIMATED WEIGHT: 92.44 LBS.



SECTION E-E

FEATURES:

FULLY ADJUSTABLE HEIGHT AND PITCH
 UP TO 1" PER FOOT IN ANY DIRECTION

MITERED TOP CORNERS

ROOF CURB BODY IS FABRICATED OF HEAVY
 GAUGE GALVANIZED STEEL

FULL PERIMETER WOOD NAILER

PRE-PUNCHED ASSEMBLY HOLES AND HARDWARE
 INCLUDED FOR DUCT SUPPORT INSTALLATION

ROOF CURB IS SHIPPED KNOCKED DOWN

© 2007 COX ENGINEERING COMPANY
 DBA CAMBRIDGEPORT AIR SYSTEMS. ALL RIGHTS RESERVED

Cambridgeport

AIR SYSTEMS, INC.

SALISBURY, MA 01952

PHONE 1-800-648-2872 FAX 1978-462-9189