

Cambridgeport

SUBMITTAL

SUBMITTED TO _____
 COMPANY _____
 JOB NAME _____
 EQUIPMENT _____
 SIGNATURE _____
 DATE _____

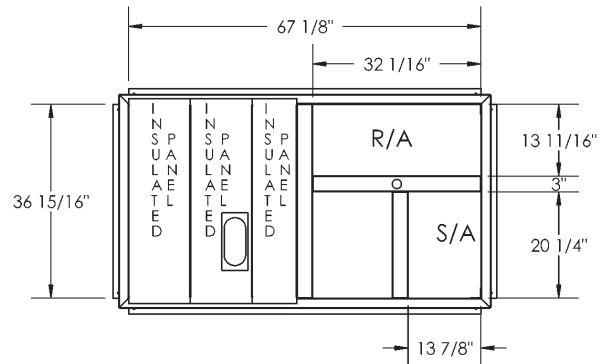
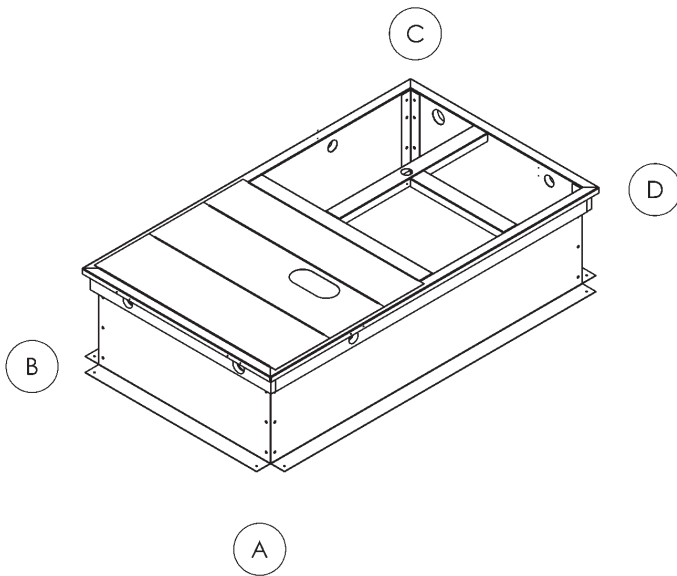
SLOPE ROOF CURBS FOR BRYANT ROOFTOP UNITS

548C,D,F ; 551A, B; 558C, D, F 036-072
 580C, D, F; 581A, B; 549B 036-072

SLOPE ROOF CURBS FOR CARRIER ROOFTOP UNITS

48/50 GJ, HJ, TJ, TF, TM 004-007;
 48/50 TC 04-07

| DESCRIPTION | PART # |
|--|---------|
| Slope Roof Curb over 1" up to 2" per Ft. | 1010287 |
| Slope Roof Curb over 2" up to 3" per Ft. | 1010318 |



FEATURES

- MITERED TOP CORNERS
- ROOF CURB FABRICATED OF HEAVY GAUGE GALVANIZED STEEL
- FULL PERIMETER WOOD NAILER
- PRE-PUNCHED ASSEMBLY HOLES AND HARDWARE INCLUDED FOR DUCT SUPPORT INSTALLATION
- ROOF CURB IS SHIPPED UNASSEMBLED

| HEIGHT OF CORNER A | HEIGHT OF CORNER B | HEIGHT OF CORNER C | HEIGHT OF CORNER D |
|--------------------|--------------------|--------------------|--------------------|
| | | | |