

# Cambridgeport

## SUBMITTAL

SUBMITTED TO \_\_\_\_\_  
 COMPANY \_\_\_\_\_  
 JOB NAME \_\_\_\_\_  
 EQUIPMENT \_\_\_\_\_  
 SIGNATURE \_\_\_\_\_  
 DATE \_\_\_\_\_

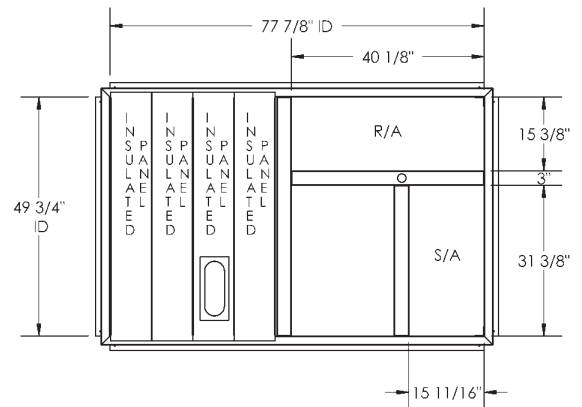
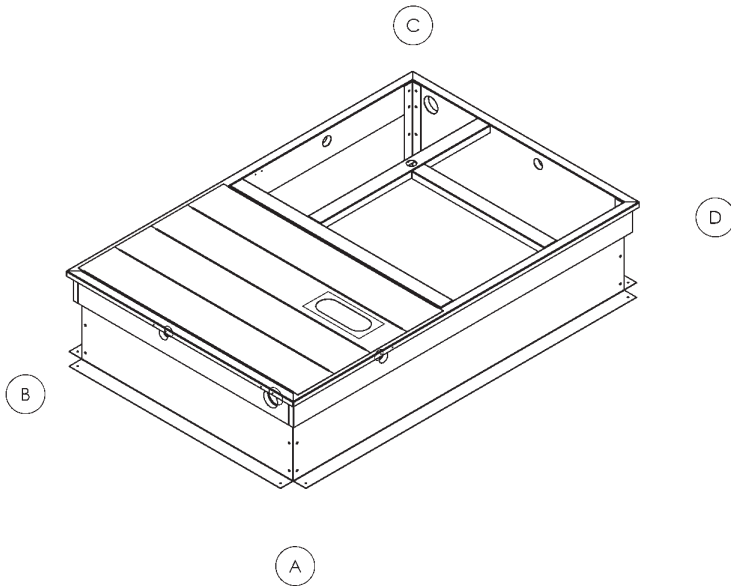
## SLOPE ROOF CURBS FOR BRYANT ROOFTOP UNITS

548C,D,F ; 551A, B; 558C, D, F;  
 580C, D, F; 581A, B; 549B 090-150

## SLOPE ROOF CURBS FOR CARRIER ROOFTOP UNITS

48/50 GJ, HJ, TJ, TF, TM 008-014

DESCRIPTION	PART #
Slope Roof Curb over 1" up to 2" per Ft.	1010290
Slope Roof Curb over 2" up to 3" per Ft.	1010291



HEIGHT OF CORNER A	HEIGHT OF CORNER B	HEIGHT OF CORNER C	HEIGHT OF CORNER D

## FEATURES

- FULLY ADJUSTABLE HEIGHT AND PITCH UP TO 1" PER FOOT IN ANY DIRECTION
- MITERED TOP CORNERS
- ROOF CURB FABRICATED OF HEAVY GAUGE GALVANIZED STEEL
- FULL PERIMETER WOOD NAILER
- PRE-PUNCHED ASSEMBLY HOLES AND HARDWARE INCLUDED FOR DUCT SUPPORT INSTALLATION
- ROOF CURB IS SHIPPED UNASSEMBLED

