

DATE: _____

COMPANY: _____

JOB NAME: _____

SUBMITTED BY: _____

NOTES: _____

**FLUSH MOUNT HARD DUCT
SUBMITTAL DATA FOR:**

CARRIER UNITS

48/50 GJ, HJ, TJ, TF, TM 012-014

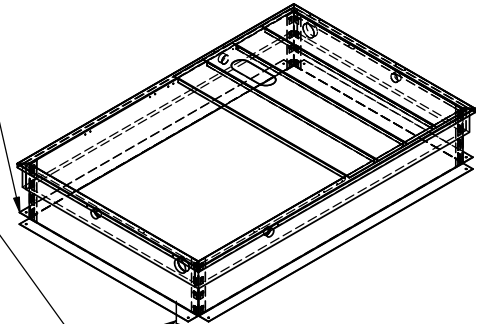
BRYANT UNITS

548C, D, F; 551A, B; 558C,D, F;

580C, D, F; 581A, B; 549B 120-150

DUCT SUPPORT
(SUPPLIED WITH DUCT KIT)

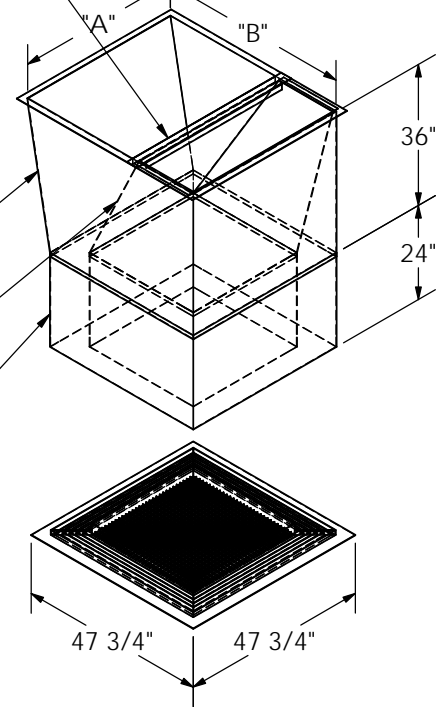
ROOF CURB
(SOLD SEPARATELY)



INSULATED SUPPLY AIR
TRANSITION DUCT

INSULATED RETURN AIR
TRANSITION DUCT

SUPPLY DUCT MUST BE
FIELD SUPPORTED



FEATURES:

FLUSH MOUNT PAINTED WHITE DIFFUSER GRILLE
WITH FIXED BLADES

SUPPLY DUCT INSULATED WITH 1" INSULATION

RETURN DUCT INSULATED WITH 1/2" INSULATION

CAMBRIDGEPORT PART NUMBER	APPLICABLE CURB MODEL NUMBERS	"A"	"B"	DIFFUSER SIZE	RETURN GRILL	NOMINAL CFM	THROW IN FT.	
							MIN	MAX
1010293	CRRFCURB003A01SL	42 1/4"	49"	42" X 42"	30" X 30"	5,000	18'	34'

NOTES:

- 1 - DO NOT INSTALL FACTORY SUPPLIED DUCT SUPPORTS UNLESS NOTED IN ASSEMBLY INSTRUCTIONS
- 2 - INSTALL CONCENTRIC DUCTWORK BEFORE SETTING A/C UNIT IN PLACE
- 3 - PLACE GASKETING ON ALL SURFACES OF DUCT FLANGE AND CURB
- 4 - ALIGN CARRIER UNIT SUPPLY OPENING TO MATCH SUPPLY OPENING OF CONCENTRIC DUCT KIT
- 5 - FIELD BAFFLES MAY BE REQUIRED FOR BALANCING
- 6 - FOR INSTALLATION SEE ASSEMBLY INSTRUCTIONS

Drawn By: CRF
Date: 2/13/08 Rev: 0

Cambridgeport AIR SYSTEMS

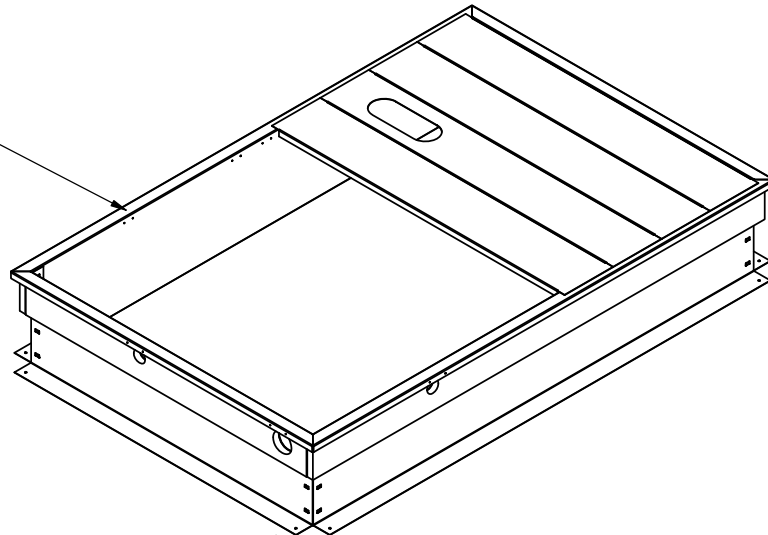
MEMPHIS, TN 38118

PHONE 1-877-648-2872 FAX 901-566-0035

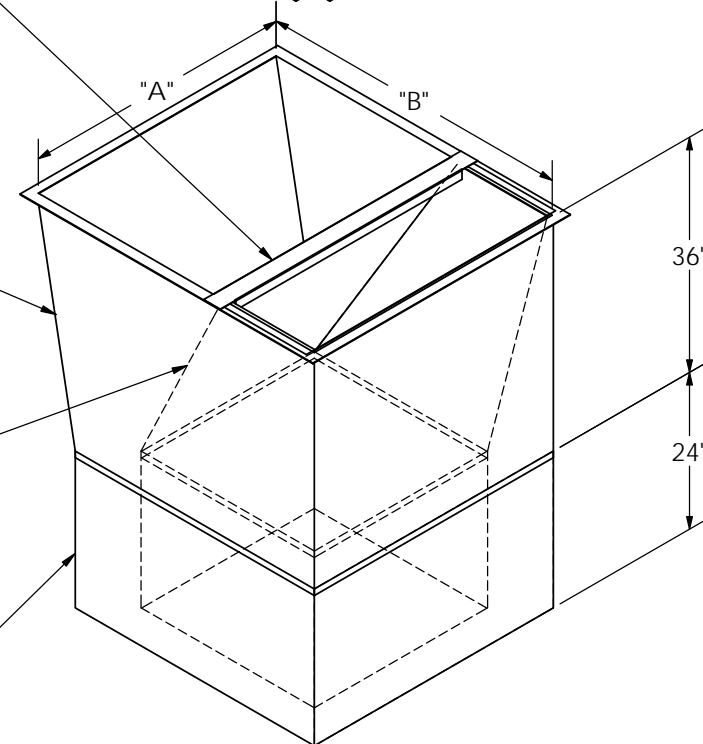
SALISBURY, MA 01952

PHONE 1-800-648-2872 FAX 978-462-9189

ROOF CURB
(SOLD SEPARATELY)



DUCT SUPPORT
(SUPPLIED WITH DUCT KIT)



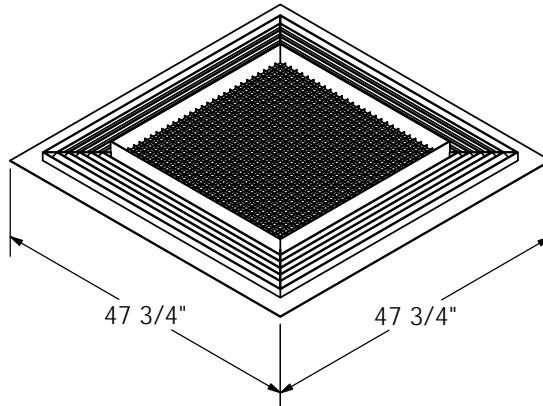
INSULATED SUPPLY AIR
TRANSITION DUCT

INSULATED RETURN AIR
TRANSITION DUCT

SUPPLY DUCT MUST BE
FIELD SUPPORTED

36"

24"



47 3/4"

47 3/4"