

DATE: \_\_\_\_\_

COMPANY: \_\_\_\_\_

JOB NAME: \_\_\_\_\_

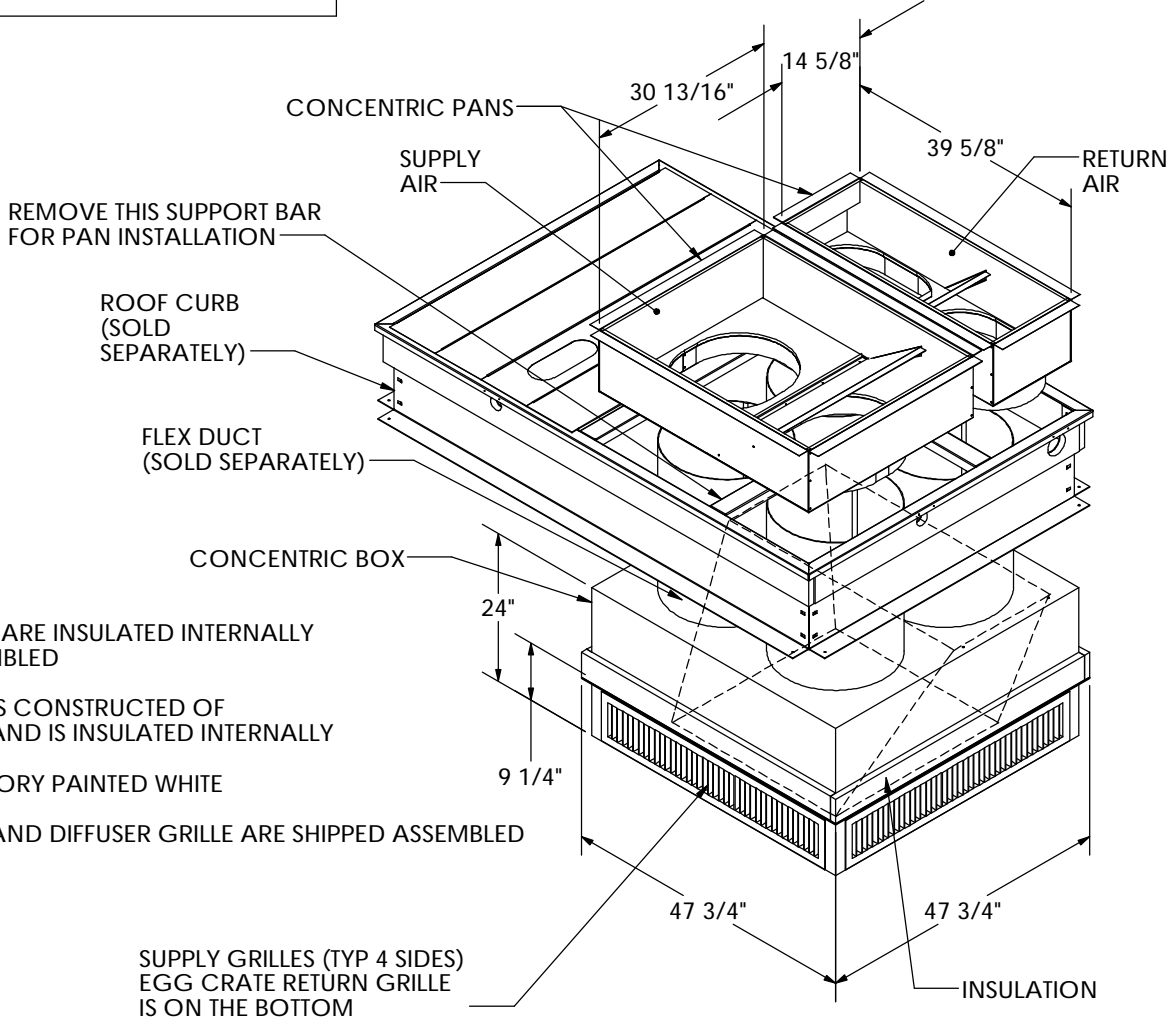
SUBMITTED BY: \_\_\_\_\_

NOTES: \_\_\_\_\_

\_\_\_\_\_

**DROP BOX FLEX DUCT CONCENTRIC KIT  
SUBMITTAL DATA FOR:**

**CARRIER UNITS**  
**48/50 GJ, HJ, TJ, TF, TM 012**  
**BRYANT UNITS**  
**548C, D, F; 551A, B; 558C,D, F;**  
**580C, D, F; 581A, B; 549B 120**



**FEATURES:**

- CONCENTRIC PANS ARE INSULATED INTERNALLY AND SHIPPED ASSEMBLED
- CONCENTRIC BOX IS CONSTRUCTED OF GALVANIZED STEEL AND IS INSULATED INTERNALLY
- LOWER BOX IS FACTORY PAINTED WHITE
- CONCENTRIC BOX AND DIFFUSER GRILLE ARE SHIPPED ASSEMBLED

CAMBRIDGEPORT PART NUMBER	DUCT SIZE	APPLICABLE MODEL NUMBERS	FLEX (SOLD SEPARATELY)	NOMINAL CFM	THROW IN FT.	
					MIN	MAX
1010296	4 @ 18"	CRRFCURB003A	1000098 (4-18")	4000	25'	52'

**NOTES:**

- 1 - INSTALL INSULATED ADAPTER PANS BEFORE A/C UNIT IS PLACED ON CURB.
- 2 - FIELD BAFFLES MAY BE REQUIRED FOR BALANCING
- 3 - CONCENTRIC BOX MUST BE FIELD SUPPORTED

Drawn By: CRF  
 Date: 1/9/08 Rev: 0  
 KML 1/7/10 Rev 1

**Cambridgeport**

**AIR SYSTEMS**

MEMPHIS, TN 38118  
 PHONE 1-877-648-2872 FAX 901-566-0035  
 SALISBURY, MA 01952  
 PHONE 1-800-648-2872 FAX 978-462-9189