

DATE: _____

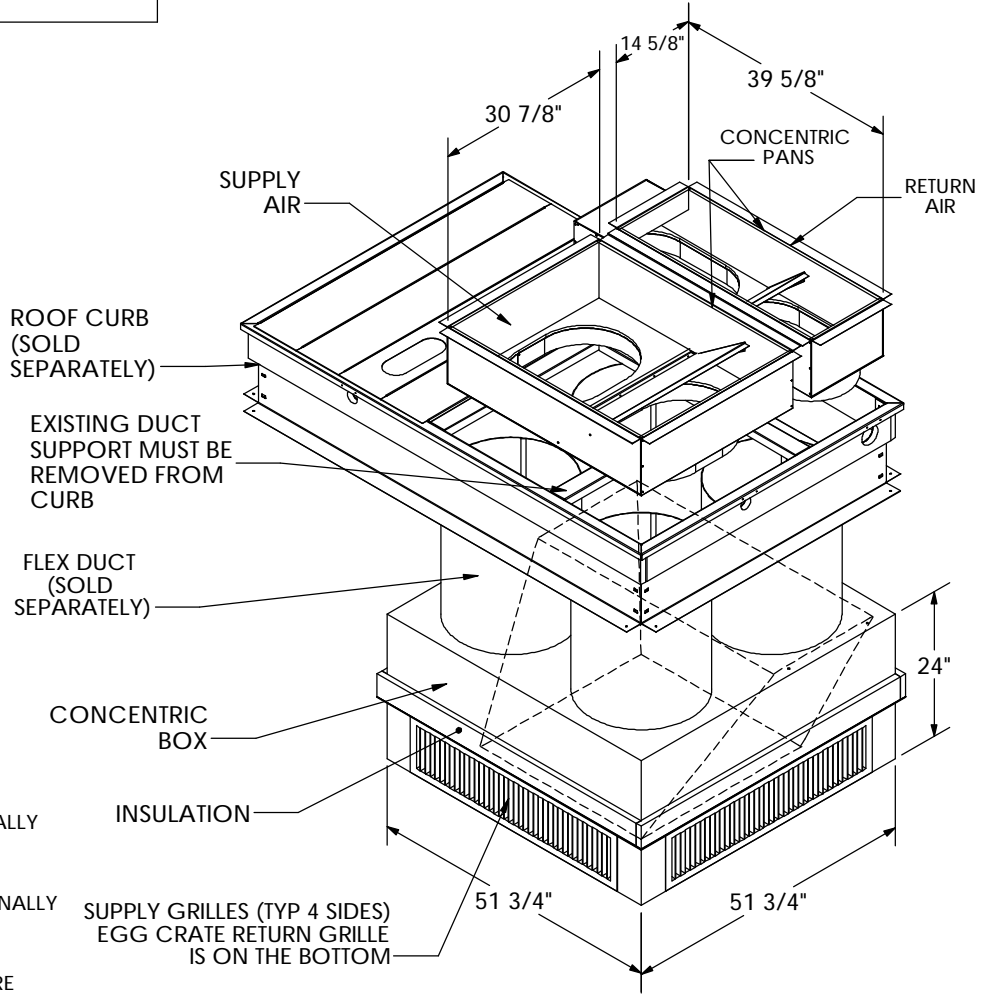
COMPANY: _____

JOB NAME: _____

SUBMITTED BY: _____

NOTES: _____

DROP BOX FLEX DUCT CONCENTRIC KIT
SUBMITTAL DATA FOR:
CARRIER UNITS
48/50 GJ, HJ, TJ, TF, TM 014
BRYANT UNITS
548C, D, F; 581A, B; 558C, D, F
580C, D, F; 581A, B; 549B 150



FEATURES:

- CONCENTRIC PANS ARE INSULATED INTERNALLY AND SHIPPED ASSEMBLED
- CONCENTRIC BOX IS CONSTRUCTED OF GALVANIZED STEEL AND IS INSULATED INTERNALLY
- LOWER BOX IS FACTORY PAINTED WHITE
- CONCENTRIC BOX AND DIFFUSER GRILLE ARE SHIPPED ASSEMBLED

SUPPLY GRILLES (TYP 4 SIDES)
 EGG CRATE RETURN GRILLE IS ON THE BOTTOM

CAMBRIDGEPORT PART NUMBER	DUCT SIZE	APPLICABLE CURB MODEL NUMBERS	FLEX (SOLD SEPARATELY)	NOMINAL CFM	THROW IN FT.	
					MIN	MAX
1010297	4 @ 20"	CRRFCURB003A00SL	1000099 (4-20")	5000	28	60

NOTES:

- 1 - INSTALL INSULATED ADAPTER PANS BEFORE A/C UNIT IS PLACED ON CURB.
- 2 - FIELD BAFFLES MAY BE REQUIRED FOR BALANCING
- 3 - CONCENTRIC BOX MUST BE FIELD SUPPORTED

Drawn By: CJT
 Date: 12/11/07 Rev: 0
 KML 1/7/10 Rev 1

Cambridgeport
AIR SYSTEMS
 MEMPHIS, TN 38118
 PHONE 1-877-648-2872 FAX 901-566-0035
 SALISBURY, MA 01952
 PHONE 1-800-648-2872 FAX 978-462-9189