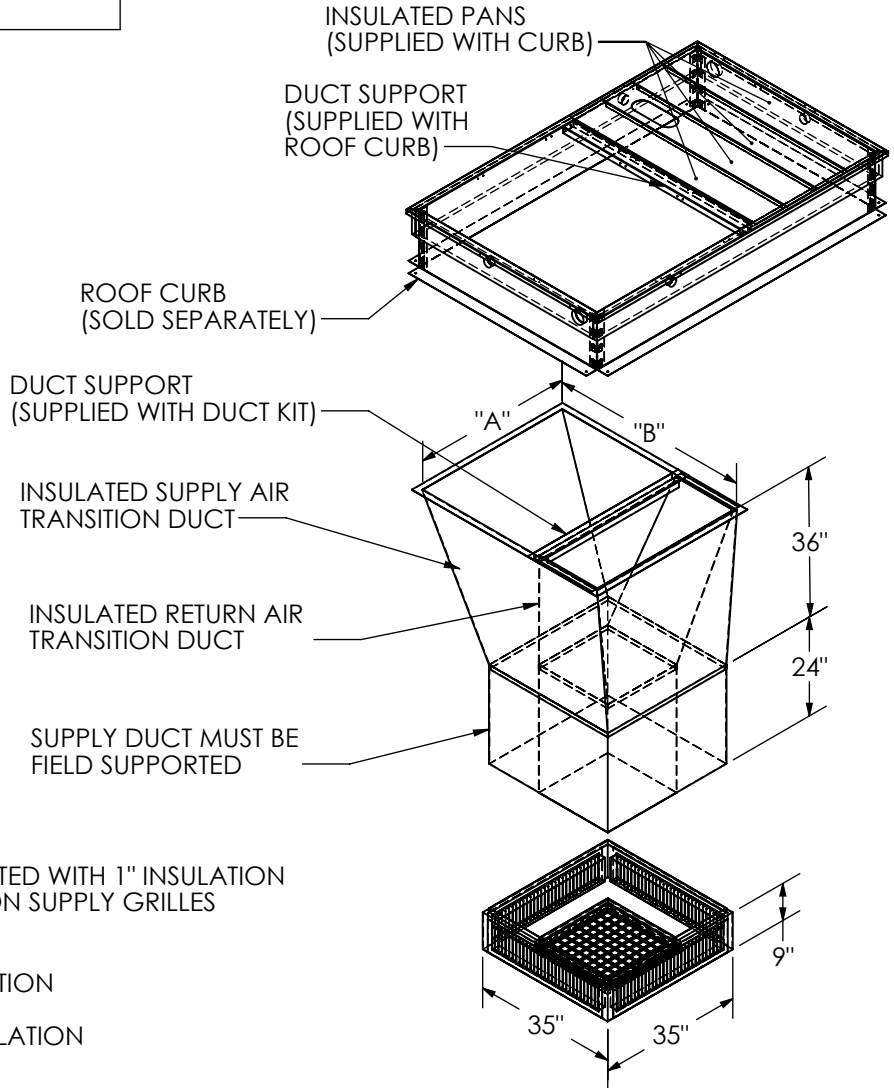


DATE: \_\_\_\_\_  
 COMPANY: \_\_\_\_\_  
 JOB NAME: \_\_\_\_\_  
 SUBMITTED BY: \_\_\_\_\_  
 NOTES: \_\_\_\_\_  
 \_\_\_\_\_

**DROP BOX HARD DUCT  
 SUBMITTAL DATA FOR:  
 CARRIER UNITS  
 48/50 GJ, HJ, TF, TM 008-009  
 BRYANT UNITS  
 548C, D, F; 551A, B; 558C, D, F;  
 580C, D, F; 581A, B; 549B 090-102**



**FEATURES:**

DROP BOX SHIPPED ASSEMBLED, INSULATED WITH 1" INSULATION  
 PAINTED WHITE WITH DOUBLE DEFLECTION SUPPLY GRILLES  
 AND EGG CRATE RETURN

SUPPLY DUCT INSULATED WITH 1" INSULATION

RETURN DUCT INSULATED WITH 1/2" INSULATION

CAMBRIDGEPORT PART NUMBER	APPLICABLE CURB MODEL NUMBERS	"A"	"B"	SUPPLY GRILL	RETURN GRILL	NOMINAL CFM	THROW IN FT.	
							MIN	MAX
1010298	CRRFCURB003A01SL	39 1/4"	49"	(4)-30 X 6	20" X 20"	3,000	18'	34'

**NOTES:**

- 1 - DO NOT INSTALL FACTORY SUPPLIED DUCT SUPPORTS UNLESS NOTED IN ASSEMBLY INSTRUCTIONS
- 2 - INSTALL CONCENTRIC DUCTWORK BEFORE SETTING A/C UNIT IN PLACE
- 3 - PLACE GASKETING ON ALL SURFACES OF DUCT FLANGE AND CURB
- 4 - ALIGN CARRIER UNIT SUPPLY OPENING TO MATCH SUPPLY OPENING OF CONCENTRIC DUCT KIT
- 5 - FIELD BAFFLES MAY BE REQUIRED FOR BALANCING
- 6 - FOR INSTALLATION SEE ASSEMBLY INSTRUCTIONS

Drawn By: CRF  
 Date: 2/13/08 Rev: 0

**Cambridgeport  
 AIR SYSTEMS**

MEMPHIS, TN 38118

PHONE 1-877-648-2872 FAX 901-566-0035

SALISBURY, MA 01952

PHONE 1-800-648-2872 FAX 978-462-9189