

DATE: \_\_\_\_\_

COMPANY: \_\_\_\_\_

JOB NAME: \_\_\_\_\_

SUBMITTED BY: \_\_\_\_\_

NOTES: \_\_\_\_\_

\_\_\_\_\_

**DROP BOX HARD DUCT  
SUBMITTAL DATA FOR:**

**CARRIER UNITS  
48/50 GJ, HJ, TJ, TF, TM 012-014  
BRYANT UNITS  
548C, D, F; 551A, B; 558C,D, F;  
580C, D, F; 581A, B; 549B 120-150**

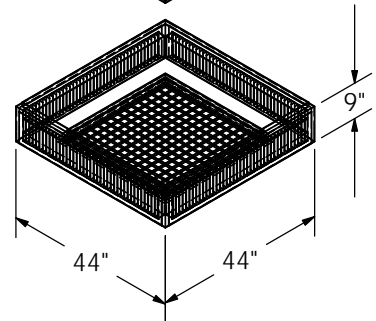
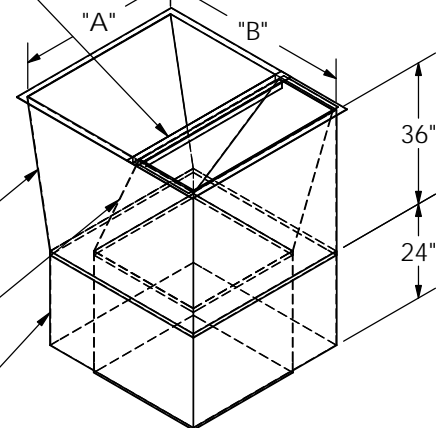
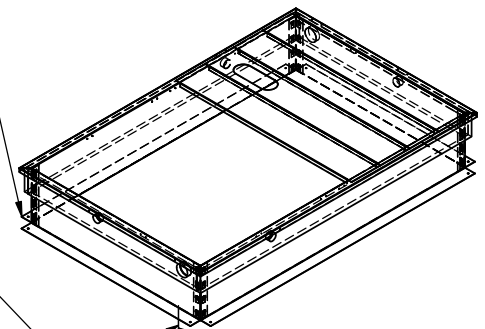
ROOF CURB  
(SOLD SEPARATELY)

DUCT SUPPORT  
(SUPPLIED WITH DUCT KIT)

INSULATED SUPPLY AIR  
TRANSITION DUCT

INSULATED RETURN AIR  
TRANSITION DUCT

SUPPLY DUCT MUST BE  
FIELD SUPPORTED



**FEATURES:**

DROP BOX SHIPPED ASSEMBLED, INSULATED WITH 1" INSULATION  
PAINTED WHITE WITH DOUBLE DEFLECTION SUPPLY GRILLES  
AND EGG CRATE RETURN

SUPPLY DUCT INSULATED WITH 1" INSULATION

RETURN DUCT INSULATED WITH 1/2" INSULATION

| CAMBRIDGEPORT<br>PART NUMBER | APPLICABLE<br>CURB<br>MODEL NUMBERS | "A"     | "B" | SUPPLY<br>GRILL | RETURN<br>GRILL | NOMINAL<br>CFM | THROW IN FT. |     |
|------------------------------|-------------------------------------|---------|-----|-----------------|-----------------|----------------|--------------|-----|
|                              |                                     |         |     |                 |                 |                | MIN          | MAX |
| 1010299                      | CRRFCURB003A01SL                    | 42 1/4" | 49" | (4)-40 X 6      | 30" X 30"       | 5,000          | 18'          | 48' |

**NOTES:**

- 1 - DO NOT INSTALL FACTORY SUPPLIED DUCT SUPPORTS UNLESS NOTED IN ASSEMBLY INSTRUCTIONS
- 2 - INSTALL CONCENTRIC DUCTWORK BEFORE SETTING A/C UNIT IN PLACE
- 3 - PLACE GASKETING ON ALL SURFACES OF DUCT FLANGE AND CURB
- 4 - ALIGN CARRIER UNIT SUPPLY OPENING TO MATCH SUPPLY OPENING OF CONCENTRIC DUCT KIT
- 5 - FIELD BAFFLES MAY BE REQUIRED FOR BALANCING
- 6 - FOR INSTALLATION SEE ASSEMBLY INSTRUCTIONS

Drawn By: CRF  
Drawn Date: 2/13/08  
Rev: 1  
Rev, Date: 1/9/12

# Cambridgeport AIR SYSTEMS

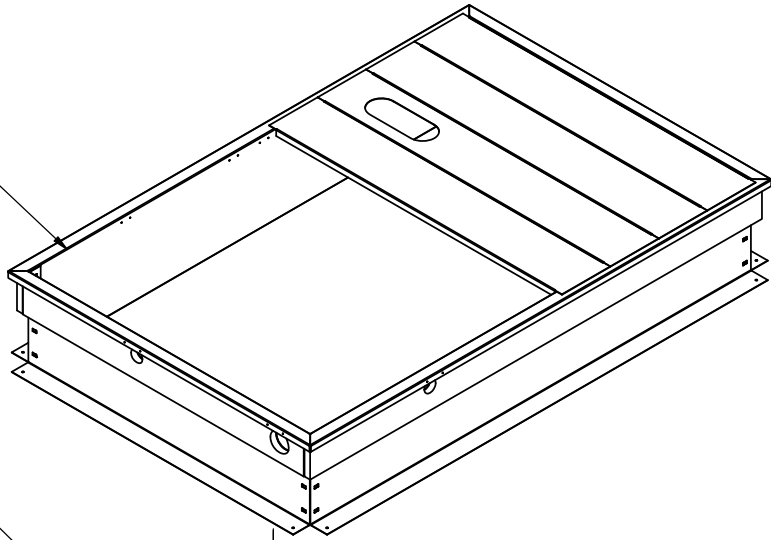
MEMPHIS, TN 38118

PHONE 1-877-648-2872 FAX 901-566-0035

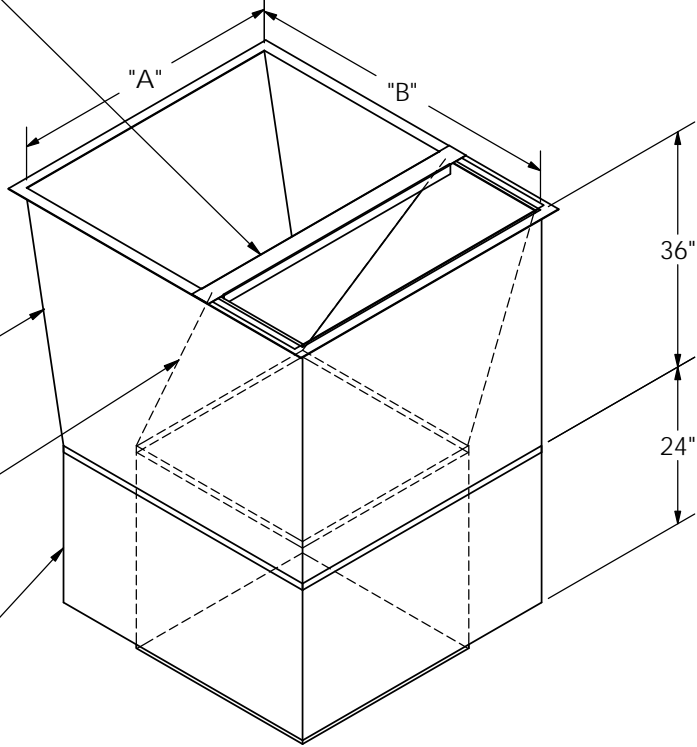
SALISBURY, MA 01952

PHONE 1-800-648-2872 FAX 978-462-9189

ROOF CURB  
(SOLD SEPARATELY)



DUCT SUPPORT  
(SUPPLIED WITH DUCT KIT)



INSULATED SUPPLY AIR  
TRANSITION DUCT

INSULATED RETURN AIR  
TRANSITION DUCT

SUPPLY DUCT MUST BE  
FIELD SUPPORTED

