

Cambridgeport

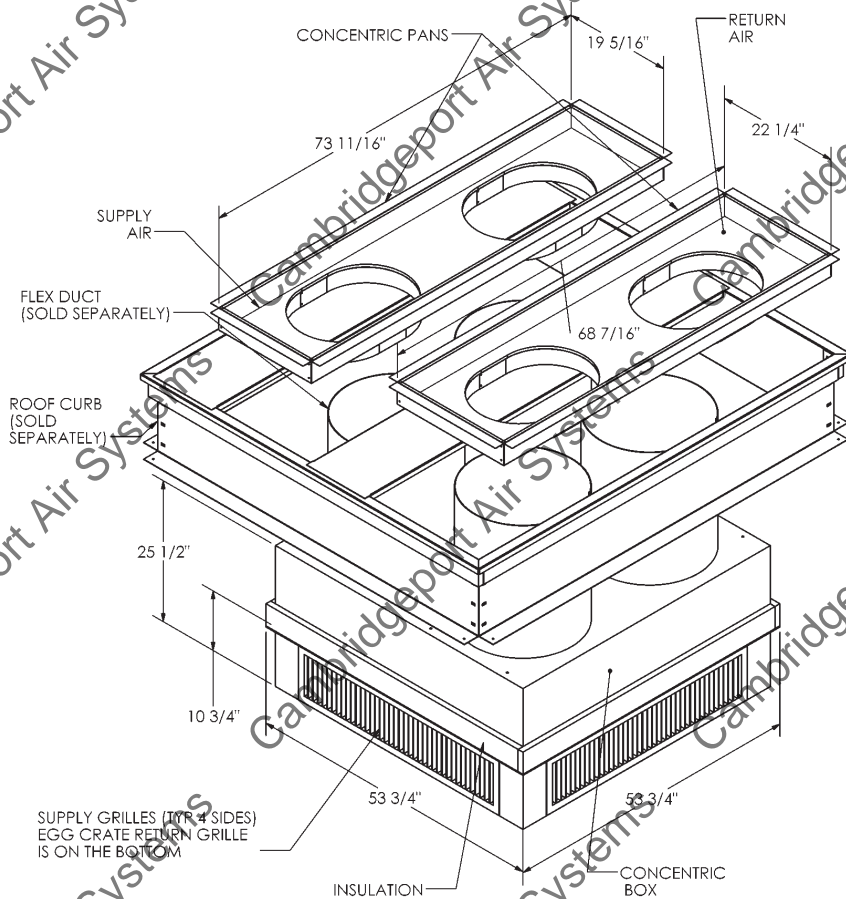
SUBMITTAL

SUBMITTED TO _____
 COMPANY _____
 JOB NAME _____
 EQUIPMENT _____
 SIGNATURE _____
 DATE _____

CONCENTRIC KITS DROP BOX FLEX FOR CARRIER ROOFTOP UNITS

48/50TJ, TM 016
 48/50 HJ 015-017
 50 HJQ 014, 016

Description Part #
 Drop Box 20" flex 1010311



FEATURES

- CONCENTRIC INSERT PANS ARE INSULATED INTERNALLY AND SHIPPED ASSEMBLED
- CONCENTRIC BOX FABRICATED OF HEAVY GALVANIZED STEEL AND INTERNALLY INSULATED
- DOUBLE DEFLECTION GRILLE PAINTED OFF-WHITE
- CONCENTRIC BOX AND DIFFUSER ARE SHIPPED ASSEMBLED

Nominal CFM	Throw in Ft.	
6,000	Min	Max
	30	64