

DATE: _____

COMPANY: _____

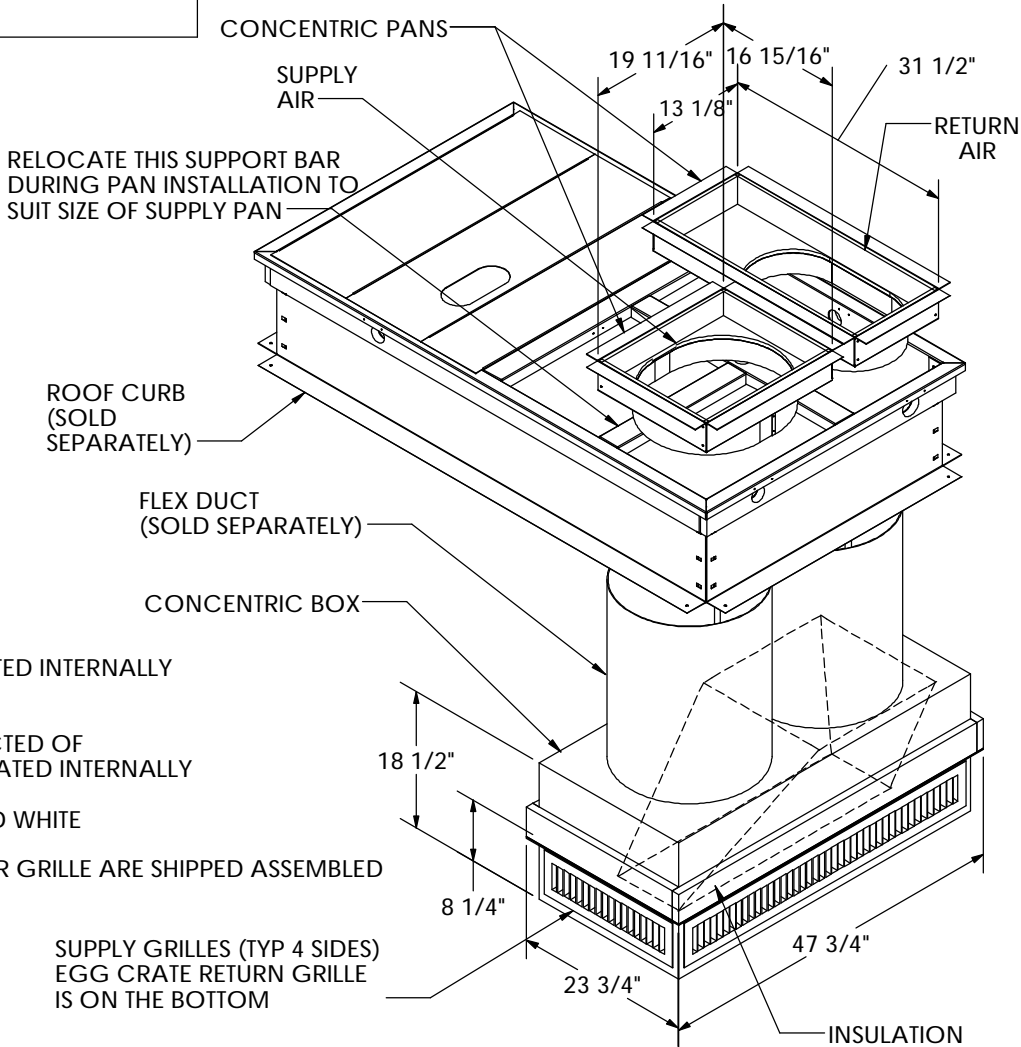
JOB NAME: _____

SUBMITTED BY: _____

NOTES: _____

**DROP BOX FLEX DUCT CONCENTRIC KIT
SUBMITTAL DATA FOR:**

CARRIER UNITS
48/50 GJ, HJ, TJ, TF, TM 004-007
BRYANT UNITS
548C, D, F; 551A, B; 558C, D, F 036-072
580C, D, F; 581A, B; 549B 036-072



FEATURES:

- CONCENTRIC PANS ARE INSULATED INTERNALLY AND SHIPPED ASSEMBLED
- CONCENTRIC BOX IS CONSTRUCTED OF GALVANIZED STEEL AND IS INSULATED INTERNALLY
- LOWER BOX IS FACTORY PAINTED WHITE
- CONCENTRIC BOX AND DIFFUSER GRILLE ARE SHIPPED ASSEMBLED

CAMBRIDGEPORT PART NUMBER	DUCT SIZE	APPLICABLE MODEL NUMBERS	FLEX (SOLD SEPARATELY)	NOMINAL CFM	THROW IN FT.	
					MIN	MAX
1010322	2 @ 18"	CRRFCURB001A	1000080 (2-18")	1200-2400	20'	31"

NOTES:

- 1 - INSTALL INSULATED ADAPTER PANS BEFORE A/C UNIT IS PLACED ON CURB.
- 2 - FIELD BAFFLES MAY BE REQUIRED FOR BALANCING
- 3 - CONCENTRIC BOX MUST BE FIELD SUPPORTED

Drawn By: CRF
 Date: 1/9/08 Rev: 0
 KML 1/7/10 Rev 1

Cambridgeport

AIR SYSTEMS

MEMPHIS, TN 38118

PHONE 1-877-648-2872 FAX 901-566-0035

SALISBURY, MA 01952

PHONE 1-800-648-2872 FAX 978-462-9189