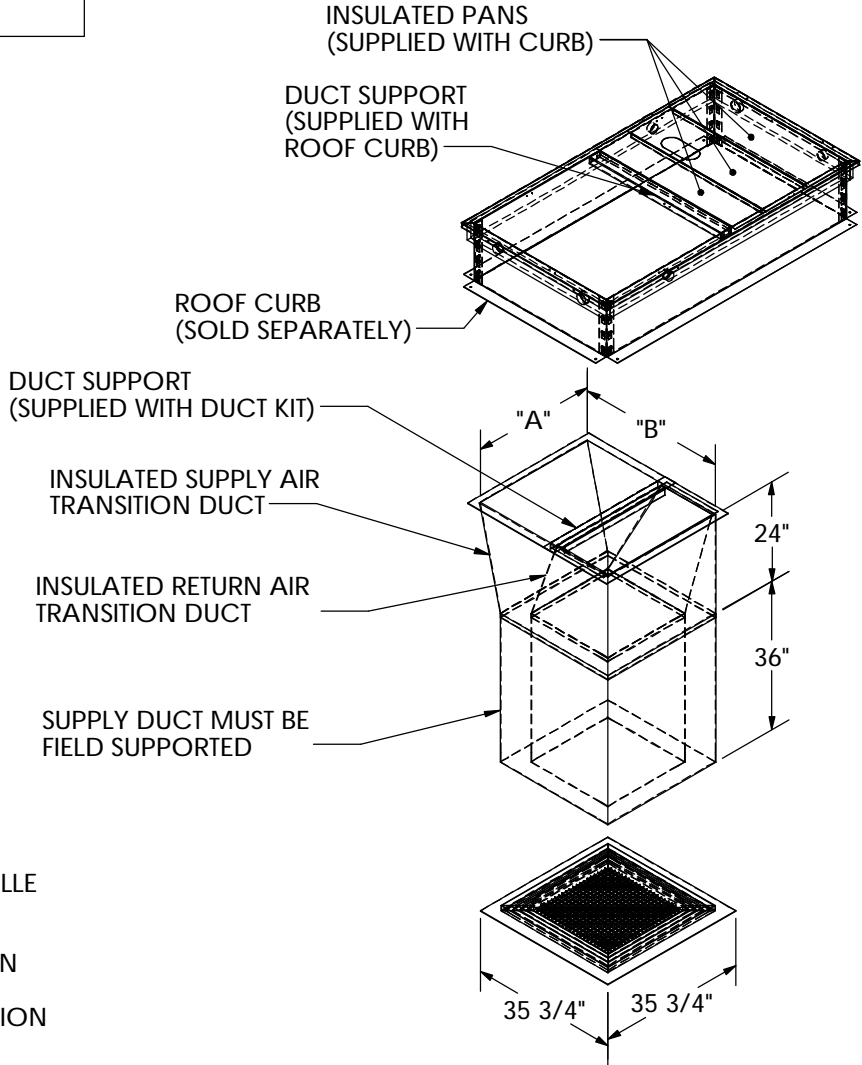


DATE: \_\_\_\_\_  
 COMPANY: \_\_\_\_\_  
 JOB NAME: \_\_\_\_\_  
 SUBMITTED BY: \_\_\_\_\_  
 NOTES: \_\_\_\_\_  
 \_\_\_\_\_

FLUSH MOUNT HARD DUCT  
 SUBMITTAL DATA FOR:  
**CARRIER UNITS**  
 48/50 GJ, HJ, TJ, TF, TM 004-007  
**BRYANT UNITS**  
 548C, D, F; 551A, B; 558C, D, F 036-072  
 580C, D, F; 581A, B; 549B 036-072



FEATURES:

- FLUSH MOUNT PAINTED WHITE DIFFUSER GRILLE WITH FIXED BLADES
- SUPPLY DUCT INSULATED WITH 1" INSULATION
- RETURN DUCT INSULATED WITH 1/2" INSULATION

CAMBRIDGEPORT PART NUMBER	APPLICABLE CURB MODEL NUMBERS	"A"	"B"	DIFFUSER SIZE	RETURN GRILL	NOMINAL CFM	THROW IN FT.	
							MIN	MAX
1010323	CRRFCURB001A01SL	30 1/4"	36"	30" X 30"	21" X 21"	2,000	10'	22'

NOTES:

- 1 - DO NOT INSTALL FACTORY SUPPLIED DUCT SUPPORTS UNLESS NOTED IN ASSEMBLY INSTRUCTIONS
- 2 - INSTALL CONCENTRIC DUCTWORK BEFORE SETTING A/C UNIT IN PLACE
- 3 - PLACE GASKETING ON ALL SURFACES OF DUCT FLANGE AND CURB
- 4 - ALIGN CARRIER UNIT SUPPLY OPENING TO MATCH SUPPLY OPENING OF CONCENTRIC DUCT KIT
- 5 - FIELD BAFFLES MAY BE REQUIRED FOR BALANCING
- 6 - FOR INSTALLATION SEE ASSEMBLY INSTRUCTIONS

Drawn By: CRF  
 Date: 2/13/08 Rev: 0

**Cambridgeport**  
**AIR SYSTEMS**

MEMPHIS, TN 38118

PHONE 1-877-648-2872 FAX 901-566-0035

SALISBURY, MA 01952

PHONE 1-800-648-2872 FAX 978-462-9189