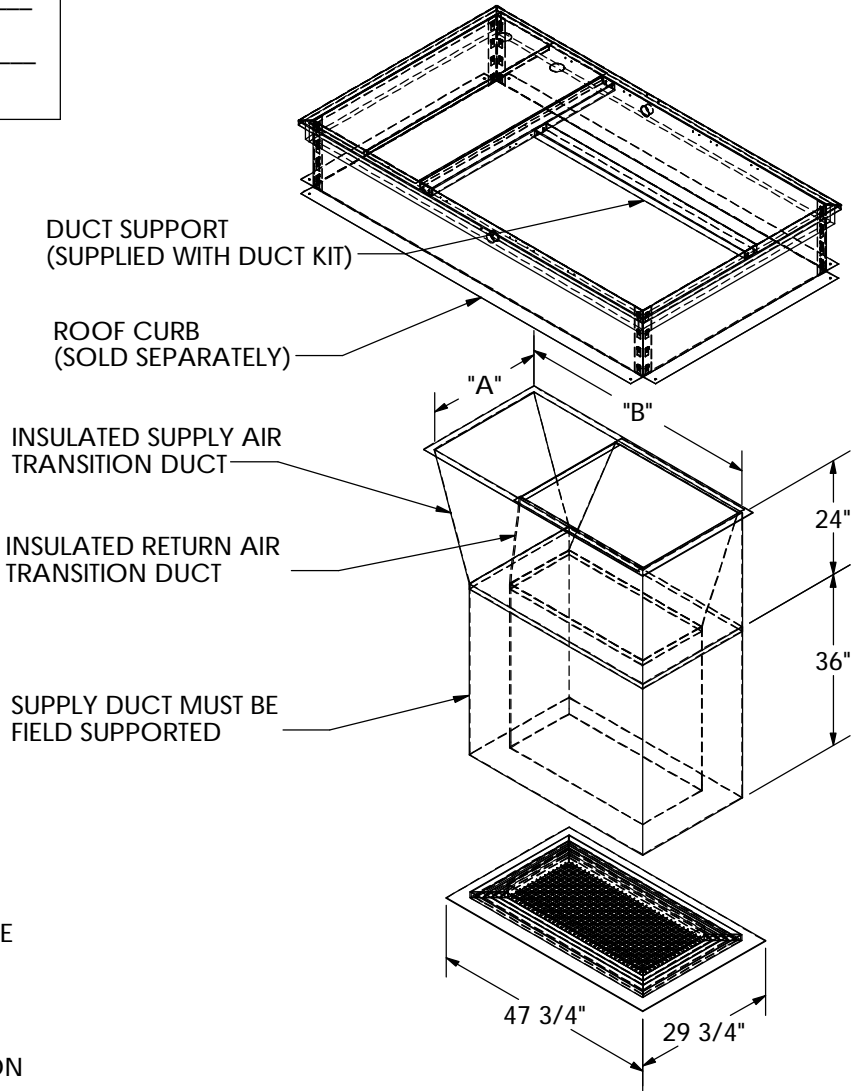


DATE: _____
 COMPANY: _____
 JOB NAME: _____
 SUBMITTED BY: _____
 NOTES: _____

FLUSH MOUNT HARD DUCT
 SUBMITTAL DATA FOR:
CARRIER UNITS
48/50PG03-07



FEATURES:

FLUSH MOUNT PAINTED WHITE DIFFUSER GRILLE
 WITH FIXED BLADES

SUPPLY DUCT INSULATED WITH 1" INSULATION

RETURN DUCT INSULATED WITH 1/2" INSULATION

CAMBRIDGEPORT PART NUMBER	APPLICABLE CURB MODEL NUMBERS	"A"	"B"	DIFFUSER SIZE	RETURN GRILL	NOMINAL CFM	THROW IN FT.	
							MIN	MAX
1010330	CPRFCURB0020A00SL	24 1/4"	50 3/4"	42" X 24"	33" X 15"	2,400	11'	20'

NOTES:

- 1 - DO NOT INSTALL FACTORY SUPPLIED DUCT SUPPORTS UNLESS NOTED IN ASSEMBLY INSTRUCTIONS
- 2 - INSTALL CONCENTRIC DUCTWORK BEFORE SETTING A/C UNIT IN PLACE
- 3 - PLACE GASKETING ON ALL SURFACES OF DUCT FLANGE AND CURB
- 4 - ALIGN CARRIER UNIT SUPPLY OPENING TO MATCH SUPPLY OPENING OF CONCENTRIC DUCT KIT
- 5 - FIELD BAFFLES MAY BE REQUIRED FOR BALANCING
- 6 - FOR INSTALLATION SEE ASSEMBLY INSTRUCTIONS

Drawn By: CRF
 Date: 2/13/08 Rev: 0

Cambridgeport
AIR SYSTEMS

MEMPHIS, TN 38118

PHONE 1-877-648-2872 FAX 901-566-0035

SALISBURY, MA 01952

PHONE 1-800-648-2872 FAX 978-462-9189