

Cambridgeport

SUBMITTAL

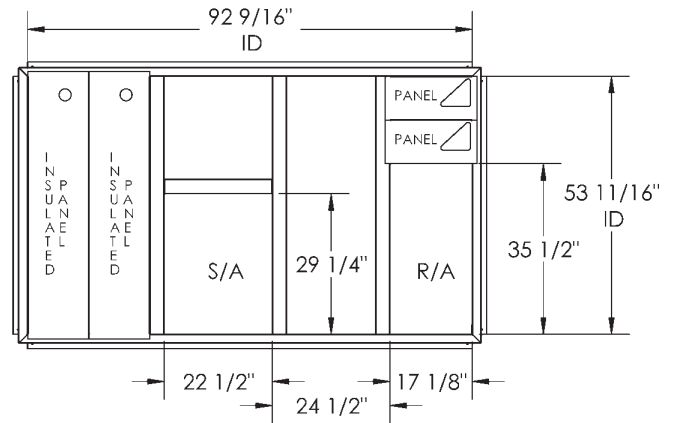
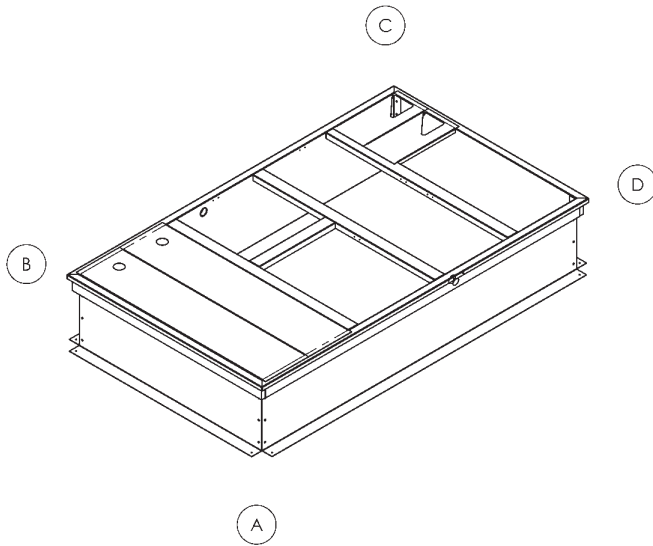
SLOPE ROOF CURBS FOR CARRIER ROOFTOP UNITS

SUBMITTED TO _____
 COMPANY _____
 JOB NAME _____
 EQUIPMENT _____
 SIGNATURE _____
 DATE _____

48/50 PG 08-14

PART #

Slope Roof Curb over 1" up to 2" per Ft. 1010335
 Slope Roof Curb 2" up to 3" per Ft. 1010336



HEIGHT OF CORNER A	HEIGHT OF CORNER B	HEIGHT OF CORNER C	HEIGHT OF CORNER D

FEATURES

- MITERED TOP CORNERS
- ROOF CURB FABRICATED OF HEAVY GAUGE GALVANIZED STEEL
- FULL PERIMETER WOOD NAILER
- PRE-PUNCHED ASSEMBLY HOLES AND HARDWARE INCLUDED FOR DUCT SUPPORT INSTALLATION
- ROOF CURB IS SHIPPED UNASSEMBLED

