

DATE: \_\_\_\_\_

COMPANY: \_\_\_\_\_

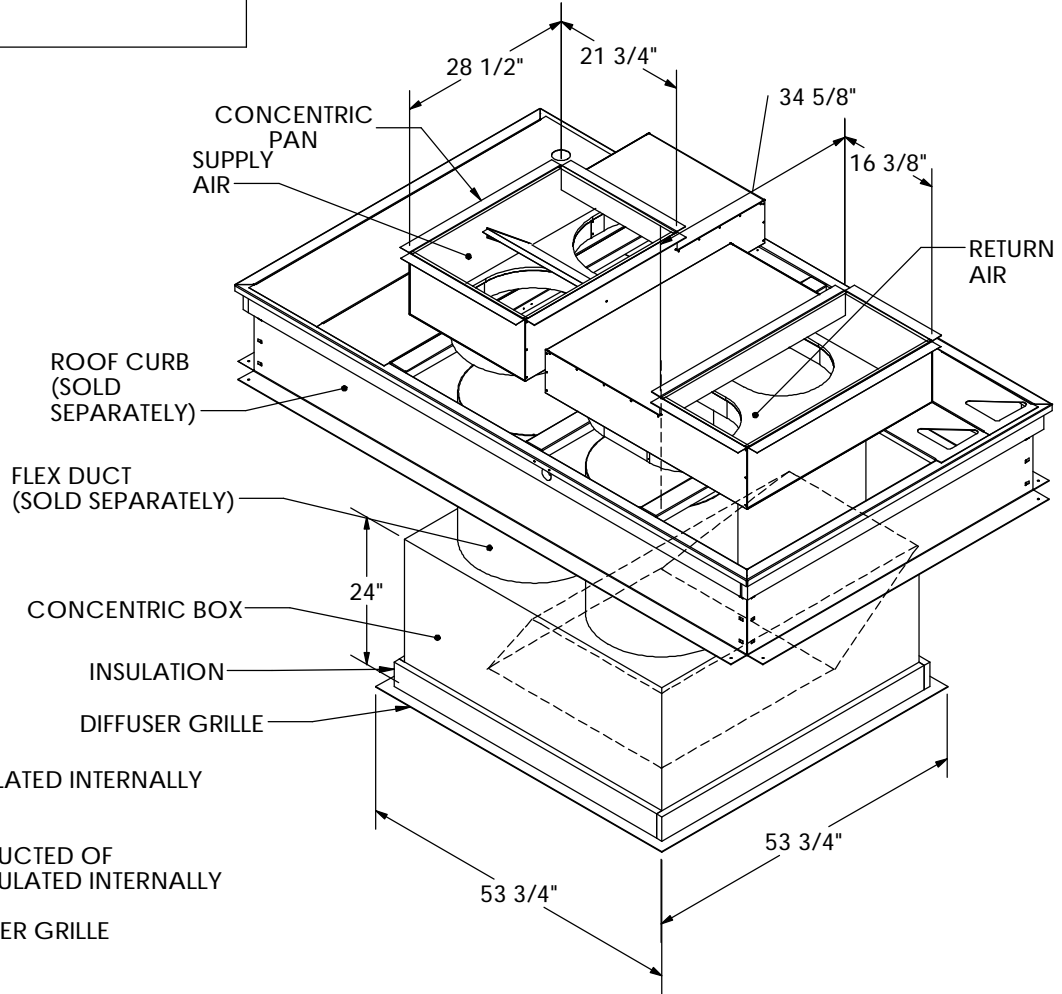
JOB NAME: \_\_\_\_\_

SUBMITTED BY: \_\_\_\_\_

NOTES: \_\_\_\_\_

\_\_\_\_\_

**FLUSH MOUNT FLEX DUCT CONCENTRIC KIT  
SUBMITTAL DATA FOR:  
CARRIER UNITS  
48/50PG14**



**FEATURES:**

- CONCENTRIC PANS ARE INSULATED INTERNALLY AND SHIPPED ASSEMBLED
- CONCENTRIC BOX IS CONSTRUCTED OF GALVANIZED STEEL AND IS INSULATED INTERNALLY
- FLUSH MOUNT PAINTED DIFFUSER GRILLE WITH FIXED BLADES
- CONCENTRIC BOX AND DIFFUSER GRILLE ARE SHIPPED ASSEMBLED

CAMBRIDGEPORT PART NUMBER	DUCT SIZE	APPLICABLE CURB MODEL NUMBERS	FLEX (SOLD SEPARATELY)	NOMINAL CFM	THROW IN FT.	
					MIN	MAX
1010339	4 @ 20"	CPRFCURB0031A00SL	1000099 (4-20")	5000	16	42

**NOTES:**

- 1 - INSTALL INSULATED ADAPTER PANS BEFORE A/C UNIT IS PLACED ON CURB.
- 2 - FIELD BAFFLES MAY BE REQUIRED FOR BALANCING
- 3 - CONCENTRIC BOX MUST BE FIELD SUPPORTED

Drawn By: CJT  
Date: 02/28/08 Rev: 0  
CRF 7/2/08 Rev: 1

**Cambridgeport**  
**AIR SYSTEMS**  
MEMPHIS, TN 38118  
PHONE 1-877-648-2872 FAX 901-566-0035  
SALISBURY, MA 01952  
PHONE 1-800-648-2872 FAX 978-462-9189