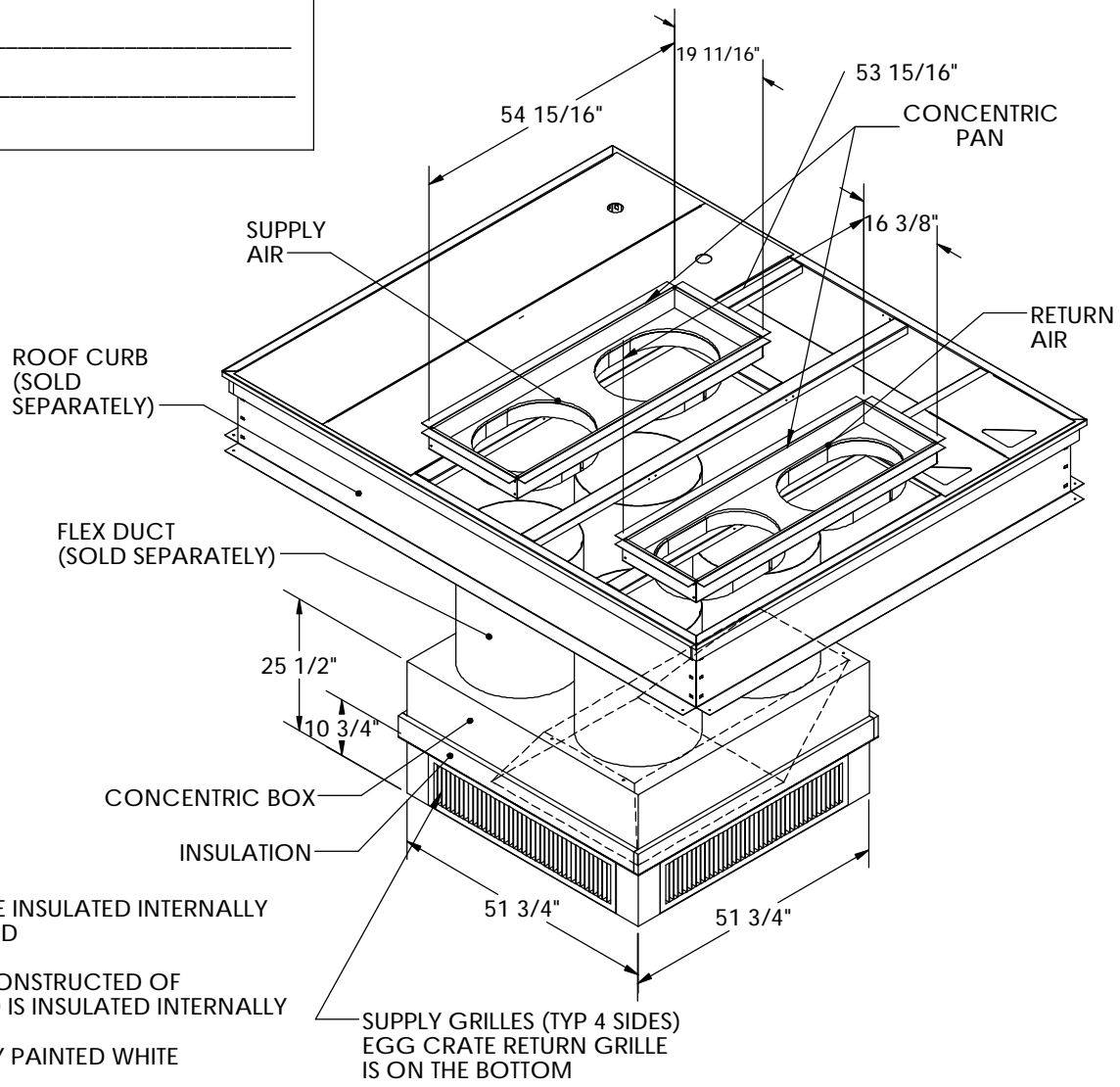


**DROP BOX DUCT CONCENTRIC KIT
SUBMITTAL DATA FOR:
CARRIER UNITS
48/50PG16**

DATE: _____
 COMPANY: _____
 JOB NAME: _____
 SUBMITTED BY: _____
 NOTES: _____



FEATURES:

- CONCENTRIC PANS ARE INSULATED INTERNALLY AND SHIPPED ASSEMBLED
- CONCENTRIC BOX IS CONSTRUCTED OF GALVANIZED STEEL AND IS INSULATED INTERNALLY
- LOWER BOX IS FACTORY PAINTED WHITE
- CONCENTRIC BOX AND DIFFUSER GRILLE ARE SHIPPED ASSEMBLED

CAMBRIDGEPORT PART NUMBER	DUCT SIZE	APPLICABLE CURB MODEL NUMBERS	FLEX (SOLD SEPARATELY)	NOMINAL CFM	THROW IN FT.	
					MIN	MAX
1010442	4 @ 20"	CRRFCURB034A00SL	1000099 (4-20")	6000	37	62

NOTES:

- 1 - INSTALL INSULATED ADAPTER PANS BEFORE A/C UNIT IS PLACED ON CURB.
- 2 - FIELD BAFFLES MAY BE REQUIRED FOR BALANCING
- 3 - CONCENTRIC BOX MUST BE FIELD SUPPORTED

Drawn By: CJT
 Date: 02/28/08 Rev: 0
 CRF 07/02/08 Rev: 1

Cambridgeport

AIR SYSTEMS

MEMPHIS, TN 38118
 PHONE 1-877-648-2872 FAX 901-566-0035
 SALISBURY, MA 01952
 PHONE 1-800-648-2872 FAX 978-462-9189