

SUBMITTAL

DATE: _____
 COMPANY: _____
 JOB NAME: _____
 SUBMITTED BY: _____
 NOTES:

ISOLATION RAIL

FEATURES

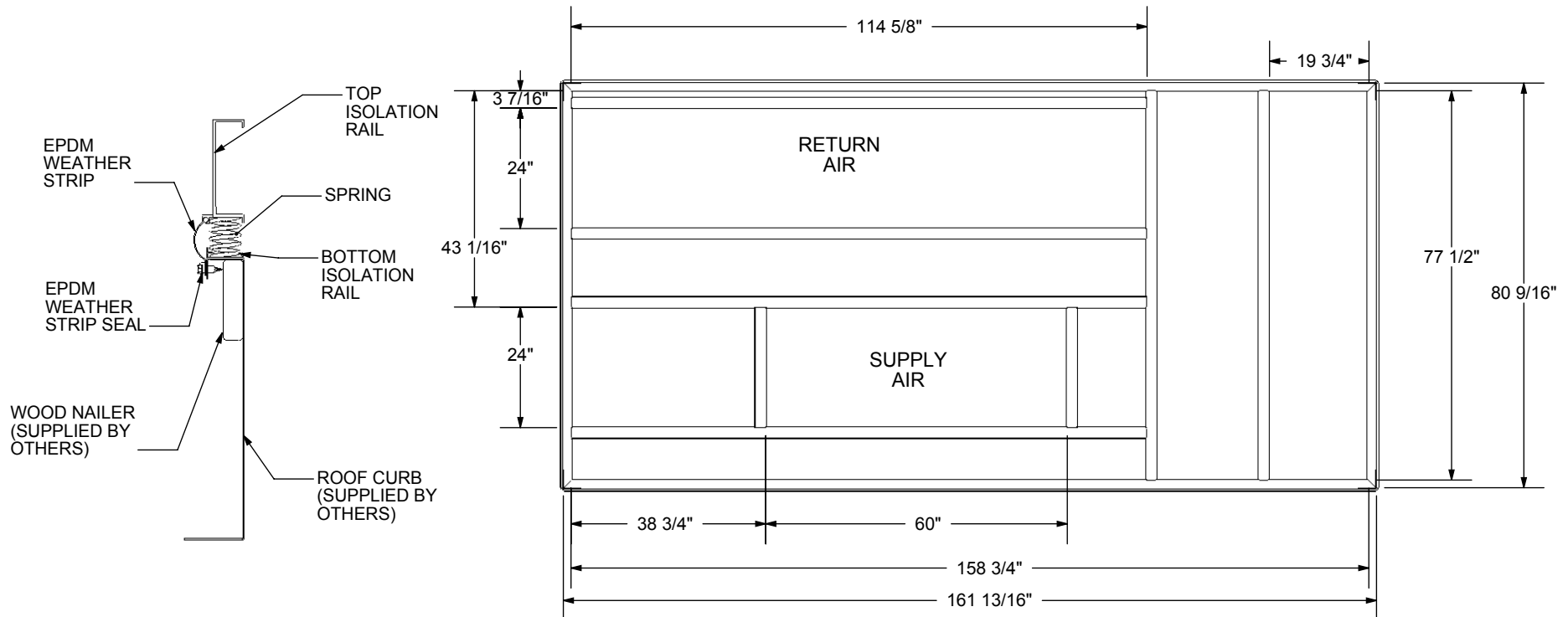
- Shipped unassembled (roof curb supplied by others)
- Mitered top corners
- Fabricated of aluminum extrusion
- Duct support included
- Full perimeter weather seal
- Gasket provided for unit to curb sealing
- 2" static deflection
- Installation instructions included
- Canvas duct connection not included

CARRIER UNITS

48/50 AJ, AK, AW, AY 024-034
 48/50 EJ, EK, EW, EY 024-034

PART NUMBER

1010494



Cambridgeport™

North 1-800-648-2872/FAX 978-462-9189
 South 1-877-648-2872/FAX 901-566-0035

DWG# 1800035
 REV 3 8-30-05
 DATE: 12-04-02