

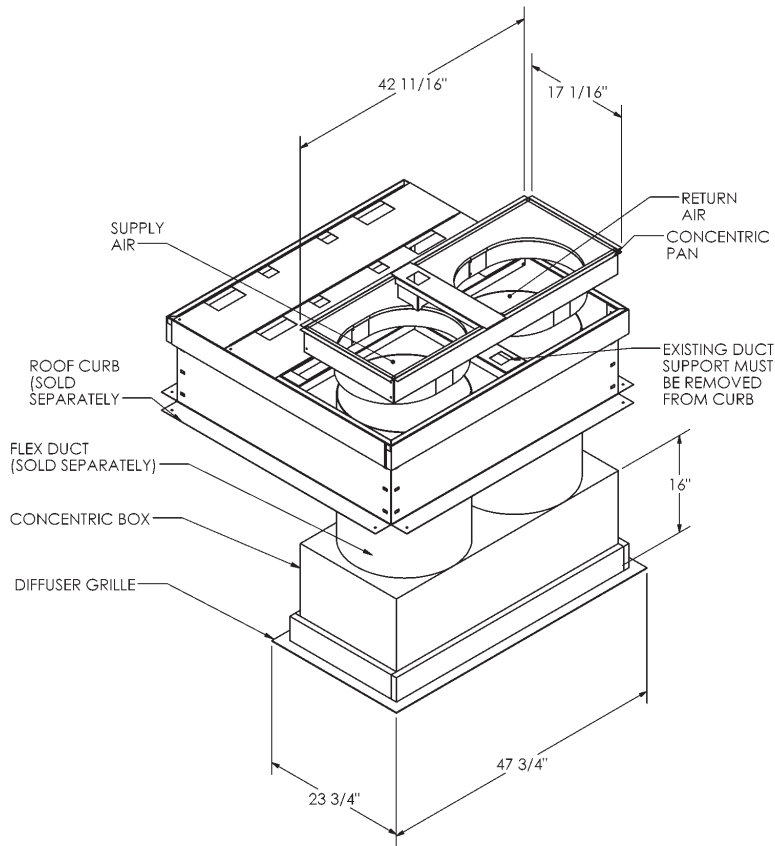
Cambridgeport

SUBMITTAL

SUBMITTED TO _____
 COMPANY _____
 JOB NAME _____
 EQUIPMENT _____
 SIGNATURE _____
 DATE _____

**CONCENTRIC KITS FLUSH MOUNT
 FLEX FOR YORK ROOFTOP UNITS**
 BHA, BHH, DEB, DEH, DNA, DNH 042-060
 BHP, BHX, BHZ, DNP 048
 DEZ, DNY, DNK, DNZ 042-060
 DEM 042-048

| Description | York Units | Part # |
|----------------------|------------|---------|
| Flush Mount 18" flex | 042-060 | 1010697 |



FEATURES

- CONCENTRIC INSERT PANS ARE INSULATED INTERNALLY AND SHIPPED ASSEMBLED
- CONCENTRIC BOX FABRICATED OF HEAVY GALVANIZED STEEL AND INTERNALLY INSULATED
- FLUSH MOUNT DIFFUSER WITH FIXED BLADES
- CONCENTRIC BOX AND DIFFUSER ARE SHIPPED ASSEMBLED

| Nominal CFM | Throw in Ft. | |
|-------------|--------------|-----|
| | Min | Max |
| 2,000 | 11 | 26 |