

# Cambridgeport

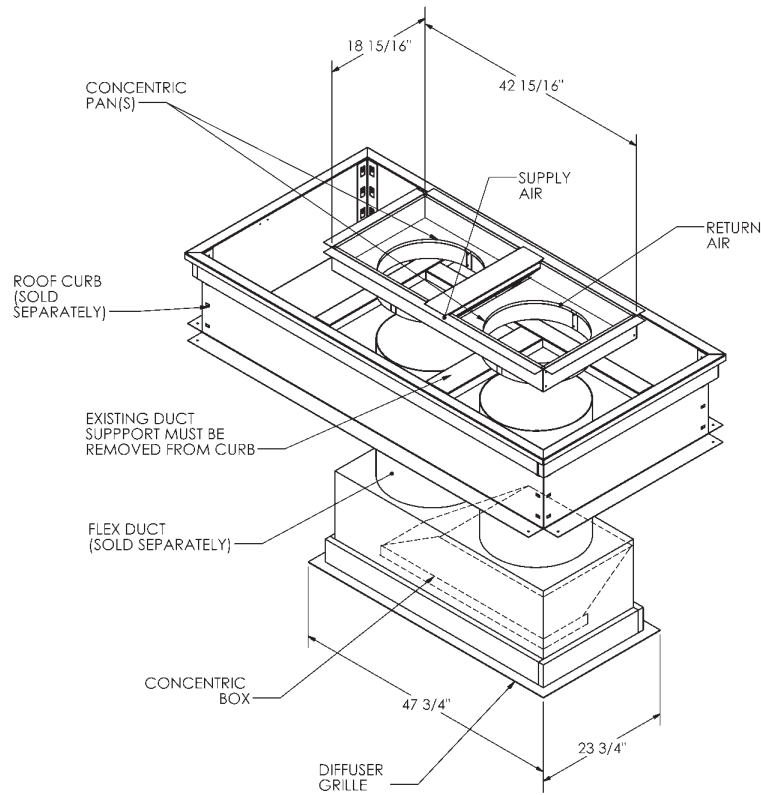
## SUBMITTAL

SUBMITTED TO \_\_\_\_\_  
 COMPANY \_\_\_\_\_  
 JOB NAME \_\_\_\_\_  
 EQUIPMENT \_\_\_\_\_  
 SIGNATURE \_\_\_\_\_  
 DATE \_\_\_\_\_

### CONCENTRIC KITS FLUSH MOUNT FOR YORK ROOFTOP UNITS

BQ, BP, DJ, DH, DY, XJ, XP, ZJ, ZP 036  
 BCH, DEE, DEG, DHE, DHG 036  
 DEG, DCE, DM, DF 036

Description	York Units	Part #
Flush Mount 16" flex	036	1010964



## FEATURES

- CONCENTRIC INSERT PANS ARE INSULATED INTERNALLY AND SHIPPED ASSEMBLED
- CONCENTRIC BOX FABRICATED OF HEAVY GALVANIZED STEEL AND INTERNALLY INSULATED
- FLUSH MOUNT DIFFUSER WITH FIXED BLADES
- CONCENTRIC BOX AND DIFFUSER ARE SHIPPED ASSEMBLED

Nominal CFM	Throw in Ft.	
	Min	Max
1,600 - 2,000	11	24