

# Cambridgeport

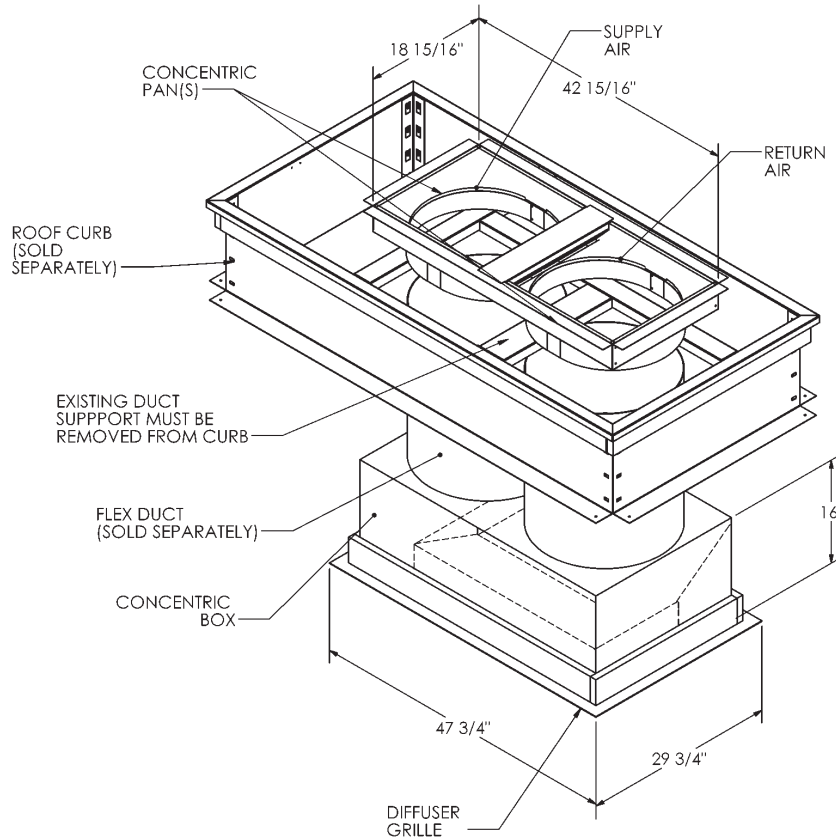
## SUBMITTAL

SUBMITTED TO \_\_\_\_\_  
 COMPANY \_\_\_\_\_  
 JOB NAME \_\_\_\_\_  
 EQUIPMENT \_\_\_\_\_  
 SIGNATURE \_\_\_\_\_  
 DATE \_\_\_\_\_

### CONCENTRIC KITS FLUSH MOUNT FOR YORK ROOFTOP UNITS

DEG, DCE, DM, DF 072

| Description          | York Units | Part #  |
|----------------------|------------|---------|
| Flush Mount 20" flex | 072        | 1010965 |



## FEATURES

- CONCENTRIC INSERT PANS ARE INSULATED INTERNALLY AND SHIPPED ASSEMBLED
- CONCENTRIC BOX FABRICATED OF HEAVY GALVANIZED STEEL AND INTERNALLY INSULATED
- FLUSH MOUNT DIFFUSER WITH FIXED BLADES
- CONCENTRIC BOX AND DIFFUSER ARE SHIPPED ASSEMBLED

| Nominal CFM | Throw in Ft. |     |
|-------------|--------------|-----|
|             | Min          | Max |
| 3,000       | 14           | 28  |