

DATE: _____

COMPANY: _____

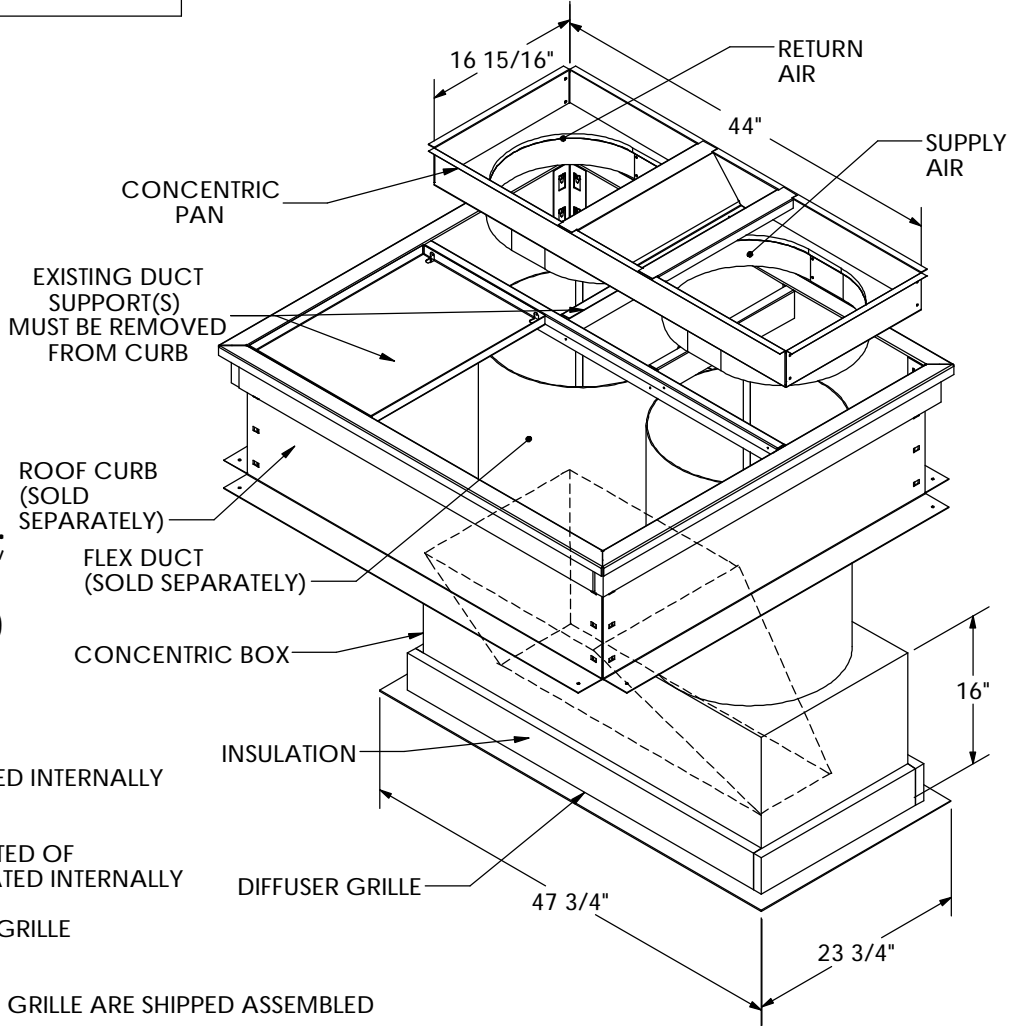
JOB NAME: _____

SUBMITTED BY: _____

NOTES: _____

**FLUSH MOUNT FLEX DUCT CONCENTRIC KIT
SUBMITTAL DATA FOR:
CARRIER UNITS
48GS 048-060; 48GX, 042-060; 50JS,
JZ 048-060; 48/50 XP 042-060; 45/50
SD 042-060; 50 SZ 036-060; 50JZ060
SEE ALSO BRYANT UNITS**

- BRYANT UNITS**
582ANW 048-060;
574A 036-060;
574B 036-060;
583B 042-060;
601A 048-060;
701A 042-060;
602A, 602B, 702A,
702B 042-060;
604A, 704A 036-060;
604B, 704B 036-060;
604C, 704C 036-060



FEATURES:

CONCENTRIC PANS ARE INSULATED INTERNALLY AND SHIPPED ASSEMBLED

CONCENTRIC BOX IS CONSTRUCTED OF GALVANIZED STEEL AND IS INSULATED INTERNALLY

FLUSH MOUNT PAINTED DIFFUSER GRILLE WITH FIXED BLADES

CONCENTRIC BOX AND DIFFUSER GRILLE ARE SHIPPED ASSEMBLED

CAMBRIDGEPORT PART NUMBER	DUCT SIZE	APPLICABLE CURB MODEL NUMBERS	FLEX (SOLD SEPARATELY)	NOMINAL CFM	THROW IN FT.	
					MIN	MAX
1010971	2 @ 18"	CPRFCURB009A00SL	1000080 (2-18")	1600-2000	11	26

NOTES:

- 1 - INSTALL INSULATED ADAPTER PANS BEFORE A/C UNIT IS PLACED ON CURB.
- 2 - FIELD BAFFLES MAY BE REQUIRED FOR BALANCING
- 3 - CONCENTRIC BOX MUST BE FIELD SUPPORTED

Drawn By: CJT
 Date: 12/13/07 Rev: 0
 KML 1/7/10 Rev 1

Cambridgeport
AIR SYSTEMS
 MEMPHIS, TN 38118
 PHONE 1-877-648-2872 FAX 901-566-0035
 SALISBURY, MA 01952
 PHONE 1-800-648-2872 FAX 978-462-9189