

DATE: \_\_\_\_\_

COMPANY: \_\_\_\_\_

JOB NAME: \_\_\_\_\_

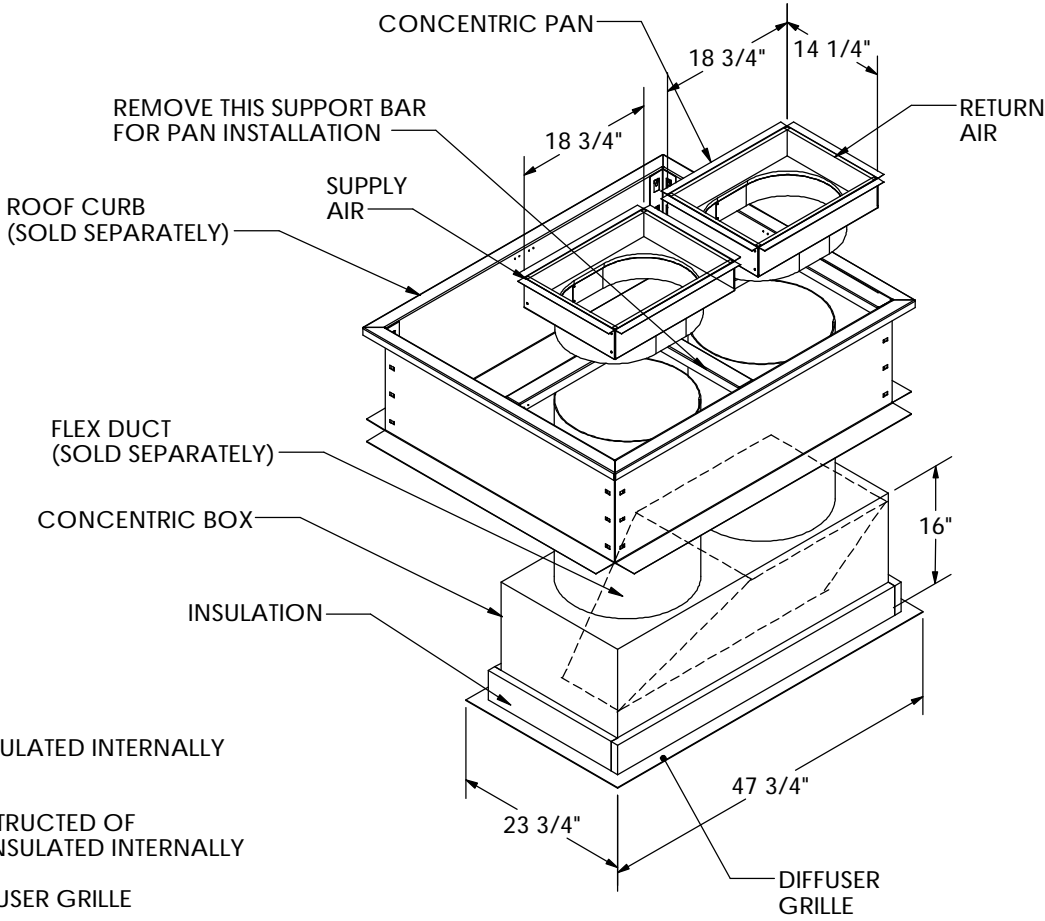
SUBMITTED BY: \_\_\_\_\_

NOTES: \_\_\_\_\_

\_\_\_\_\_

FLUSH MOUNT FLEX DUCT CONCENTRIC KIT  
 SUBMITTAL DATA FOR:

**TRANE UNITS**  
**2/4TC\*/WC\*/YC\*3 018-036A**



**FEATURES:**

- CONCENTRIC PANS ARE INSULATED INTERNALLY AND SHIPPED ASSEMBLED
- CONCENTRIC BOX IS CONSTRUCTED OF GALVANIZED STEEL AND IS INSULATED INTERNALLY
- FLUSH MOUNT PAINTED DIFFUSER GRILLE
- CONCENTRIC BOX AND DIFFUSER GRILLE ARE SHIPPED ASSEMBLED

CAMBRIDGEPORT QUOTE NUMBER	DUCT SIZE	APPLICABLE MODEL NUMBERS	FLEX (SOLD SEPARATELY)	NOMINAL CFM	THROW IN FT.	
					MIN	MAX
1011524	2 @ 16"	BAYCURB050	1000073 (2-16")	600-1200	9	15

- NOTES:**
- 1 - INSTALL INSULATED ADAPTER PANS BEFORE A/C UNIT IS PLACED ON CURB.
  - 2 - FIELD BAFFLES MAY BE REQUIRED FOR BALANCING
  - 3 - CONCENTRIC BOX MUST BE FIELD SUPPORTED

Drawn By: CJT  
 Date: 3/5/08 Rev: 0  
 KML 1/7/10 Rev 1

**Cambridgeport**  
**AIR SYSTEMS, INC.**  
 MEMPHIS, TN 38118  
 PHONE 1-877-648-2872 FAX 901-566-0035  
 SALISBURY, MA 01952  
 PHONE 1-800-648-2872 FAX 978-462-9189