

DATE: _____

COMPANY: _____

JOB NAME: _____

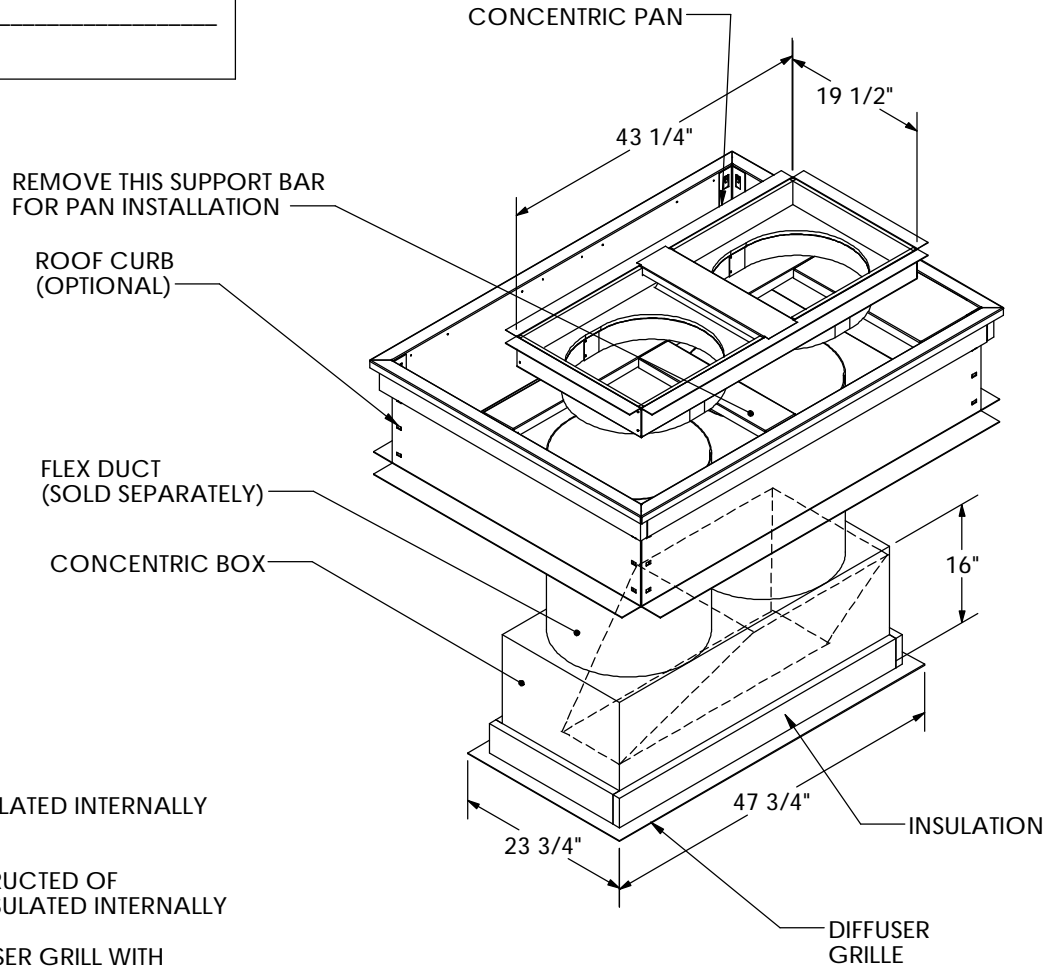
SUBMITTED BY: _____

NOTES: _____

**FLUSH MOUNT FLEX DUCT CONCENTRIC KIT
SUBMITTAL DATA FOR:**

TRANE UNITS

2/4TC*/WC*/YC*3 042-060A



FEATURES:

CONCENTRIC PANS ARE INSULATED INTERNALLY AND SHIPPED ASSEMBLED

CONCENTRIC BOX IS CONSTRUCTED OF GALVANIZED STEEL AND IS INSULATED INTERNALLY

FLUSH MOUNT PAINTED DIFFUSER GRILL WITH FIXED BLADES

CONCENTRIC BOX AND DIFFUSER GRILLE ARE SHIPPED ASSEMBLED

CAMBRIDGEPORT QUOTE NUMBER	DUCT SIZE	APPLICABLE MODEL NUMBERS	FLEX (SOLD SEPARATELY)	NOMINAL CFM	THROW IN FT.	
					MIN	MAX
1011526	2 @ 18"	BAYCURB051	1000080 (2-18")	1400-2000	11	24

NOTES:

- 1 - INSTALL INSULATED ADAPTER PANS BEFORE A/C UNIT IS PLACED ON CURB.
- 2 - FIELD BAFFLES MAY BE REQUIRED FOR BALANCING
- 3 - CONCENTRIC BOX MUST BE FIELD SUPPORTED

Drawn By: CRF
Date: 1/9/08 Rev: 0
KML 1/7/10 Rev 1

**Cambridgeport
AIR SYSTEMS, INC.**

MEMPHIS, TN 38118

PHONE 1-877-648-2872 FAX 901-566-0035

SALISBURY, MA 01952

PHONE 1-800-648-2872 FAX 978-462-9189