

Cambridgeport

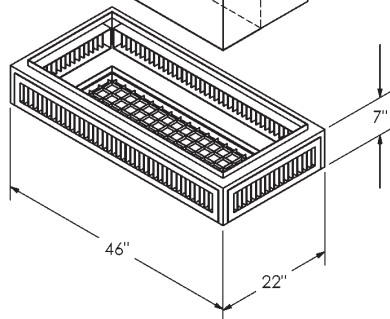
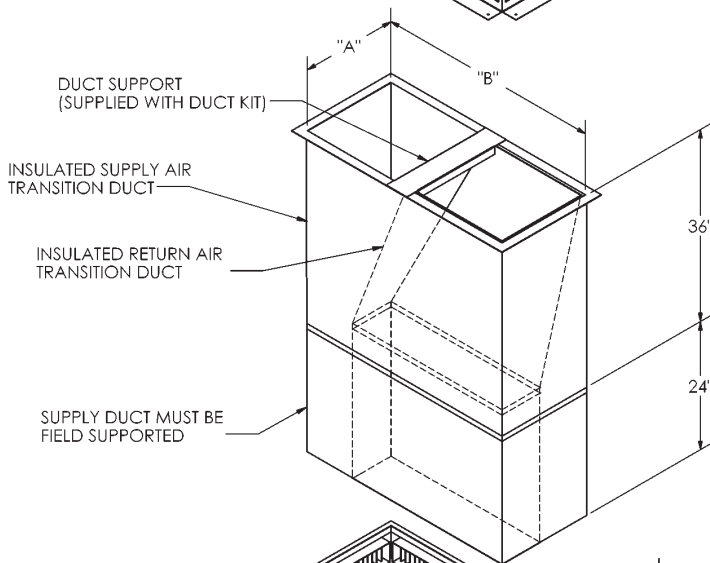
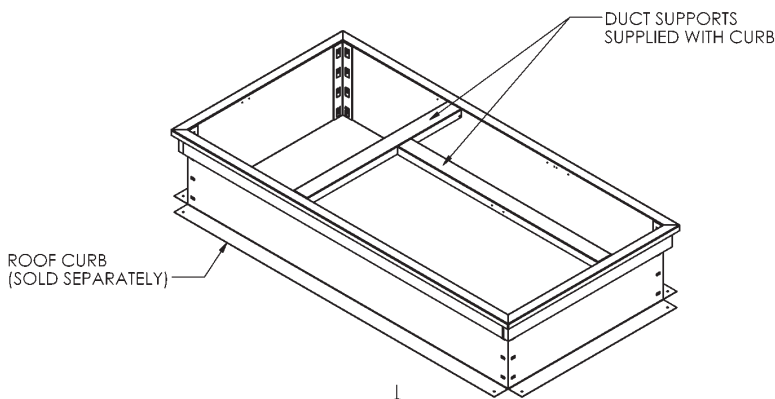
SUBMITTAL

SUBMITTED TO _____
 COMPANY _____
 JOB NAME _____
 EQUIPMENT _____
 SIGNATURE _____
 DATE _____

CONCENTRIC KITS DROP BOX HARD DUCT FOR YORK ROOFTOP UNITS

BQ, BP, DJ, DH, DY, XJ, XP, ZJ, ZP 036-060
 BCH, DEE, DEG, DHE, DHG 036-060
 DEG, DCE, DM, DF 036-072

Part #
 1011750



Nominal CFM	Throw in Ft.	
	Min	Max
2,000	14	30

FEATURES

- CONCENTRIC FABRICATED OF HEAVY GALVANIZED STEEL
- INSULATED RETURN DUCT
- INSULATED SUPPLY DUCT
- FLUSH MOUNT DIFFUSER WITH FIXED BLADES