

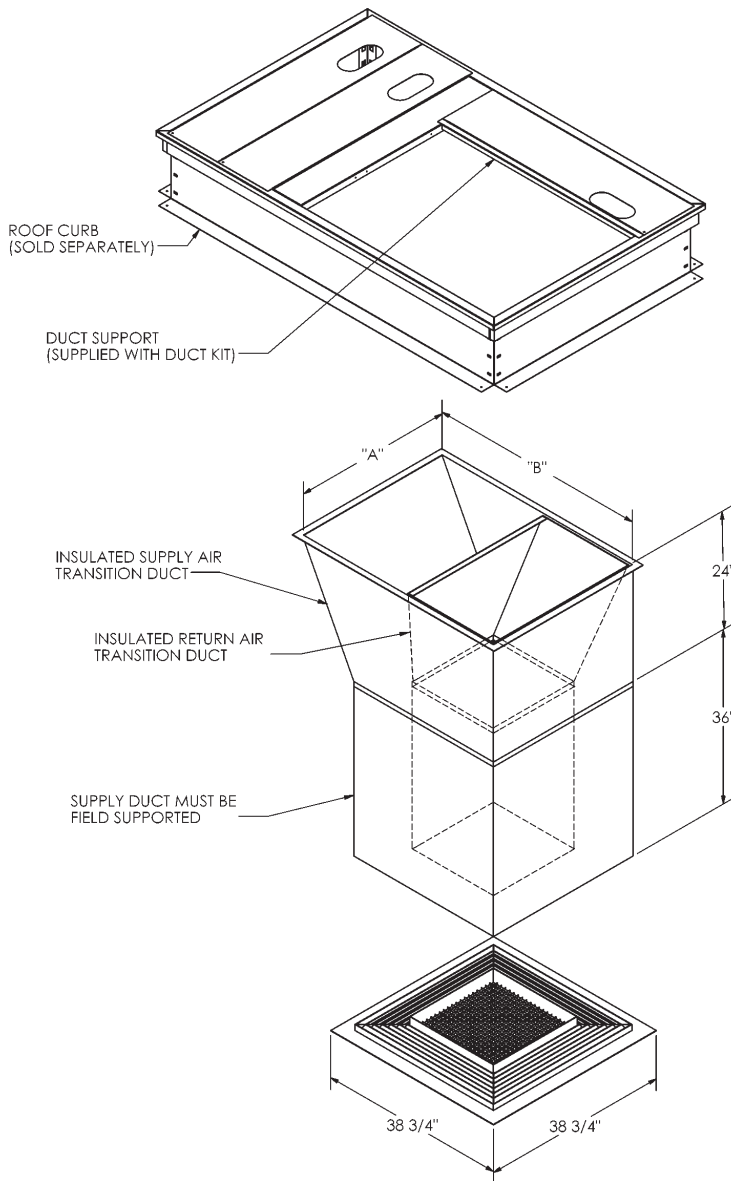
Cambridgeport

SUBMITTAL

SUBMITTED TO _____
 COMPANY _____
 JOB NAME _____
 EQUIPMENT _____
 SIGNATURE _____
 DATE _____

**CONCENTRIC KITS FLUSH
 MOUNT HARD DUCT
 FOR YORK
 ROOFTOP UNITS
 BP, DF, DH, DM 078-102
 XH, XP, ZH, ZP 078-102
 DR 090-102**

Part #
 1011751



Nominal CFM	Throw in Ft.	
	Min	Max
3,400	16	33

FEATURES

- CONCENTRIC FABRICATED OF HEAVY GALVANIZED STEEL
- INSULATED RETURN DUCT
- INSULATED SUPPLY DUCT
- FLUSH MOUNT DIFFUSER WITH FIXED BLADES