

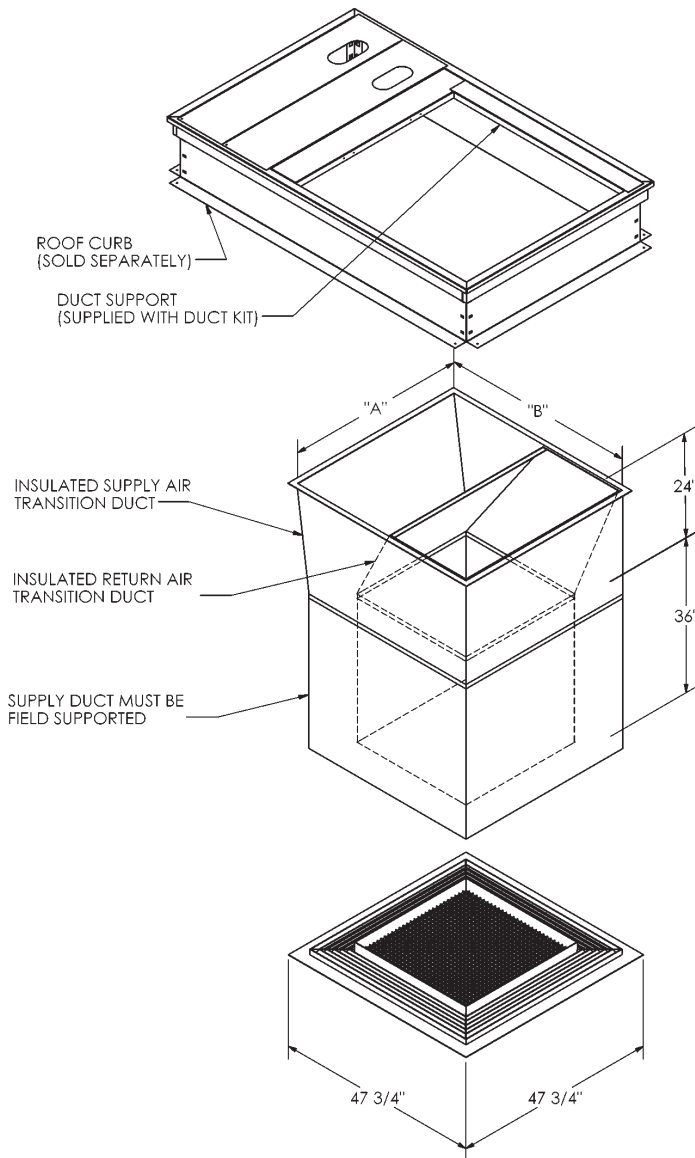
# Cambridgeport

## SUBMITTAL

SUBMITTED TO \_\_\_\_\_  
 COMPANY \_\_\_\_\_  
 JOB NAME \_\_\_\_\_  
 EQUIPMENT \_\_\_\_\_  
 SIGNATURE \_\_\_\_\_  
 DATE \_\_\_\_\_

**CONCENTRIC KITS FLUSH  
 MOUNT HARD DUCT  
 FOR YORK  
 ROOFTOP UNITS**  
 BP, DF, DH, DM 120-150  
 XH, XP, ZH, ZP 120-150  
 DR 120-150  
 DJ 150

Part #  
 1011753



Nominal CFM	Throw in Ft.	
	Min	Max
5,000	23	43

## FEATURES

- CONCENTRIC FABRICATED OF HEAVY GALVANIZED STEEL
- INSULATED RETURN DUCT
- INSULATED SUPPLY DUCT
- FLUSH MOUNT DIFFUSER WITH FIXED BLADES