

Cambridgeport

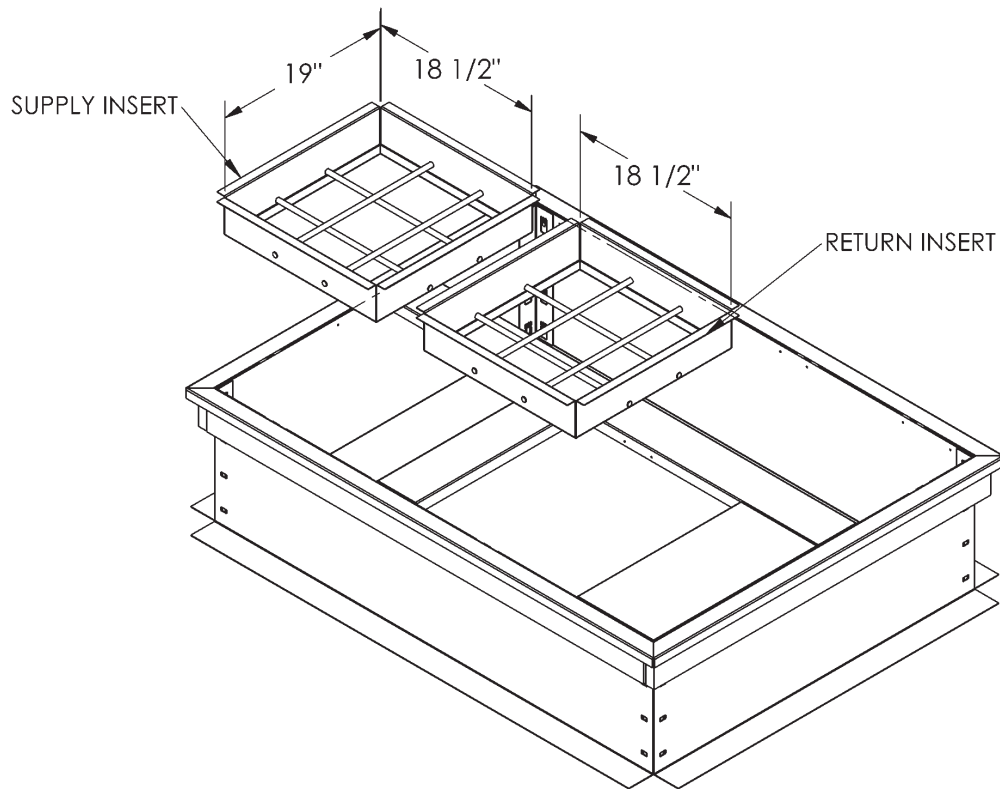
SUBMITTAL

SUBMITTED TO _____
COMPANY _____
JOB NAME _____
EQUIPMENT _____
SIGNATURE _____
DATE _____

BURGLAR BAR INSERTS FOR TRANE ROOFTOP UNITS

2/4 TC*/ WC*/ YC*3 042-060A

PART #
1011846



FEATURES

BURGLAR BAR INSERTS ARE FABRICATED OF 18 GA G90 GALVANIZED STEEL AND 1/2 STEEL ROD
ONE-PIECE WELDED CONSTRUCTION
ALL WELDS SPRAYED WITH GALVANIZED COMPOUND
DISTANCE BETWEEN STEEL RODS ARE NO MORE THAN 6 INCHES
OPTIONAL FEATURE;
5/8 STEEL ROD
OPENINGS GREATER THAN OR LESS THAN 6 INCHES