

DATE: \_\_\_\_\_  
 COMPANY: \_\_\_\_\_  
 JOB NAME: \_\_\_\_\_  
 SUBMITTED BY: \_\_\_\_\_  
 NOTES: \_\_\_\_\_  
 \_\_\_\_\_

# SURE-LOCK ROOF CURB SUBMITTAL #1011897

BAYCURB051

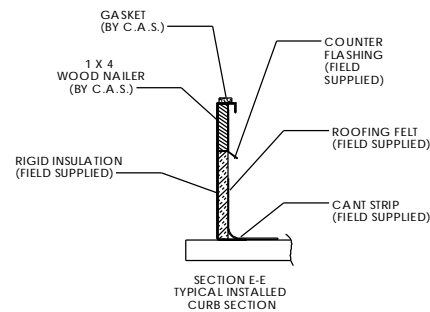
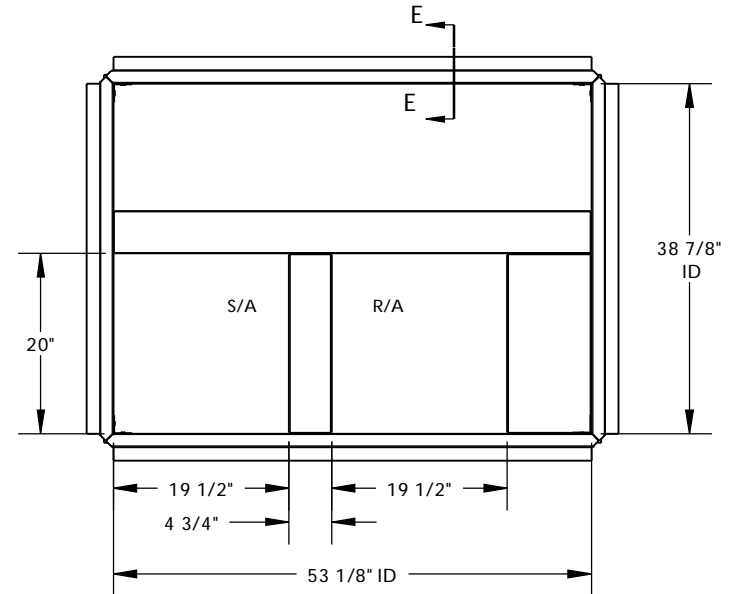
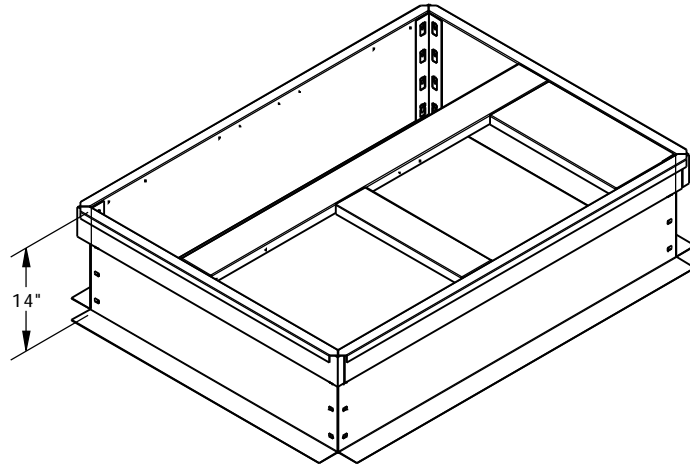
SURE-LOCK CURB NUMBER

1011897

REV:

Drawn By: CJT  
 Drawn Date: 03/04/08

**ESTIMATED WEIGHT: 76 LBS.**



**FEATURES:**

MITERED TOP CORNERS

ROOF CURB IS FABRICATED OF HEAVY GAUGE GALVANIZED STEEL.

PRE-PUNCHED ASSEMBLY HOLES AND HARDWARE INCLUDED FOR DUCT SUPPORT INSTALLATION,

GASKETING PROVIDED FOR UNIT TO CURB SEALING.

FULL PERIMETER WOOD NAILER.

ROOF CURB IS SHIPPED KNOCKED DOWN.

ROOF CURB IS SEISMIC RATED.

ROOF CURB IS LABELED WITH RTU# IF APPLICABLE

© 2007 COX ENGINEERING COMPANY  
 DBA CAMBRIDGEPORT AIR SYSTEMS. ALL RIGHTS RESERVED

## Cambridgeport AIR SYSTEMS, INC.

SALISBURY, MA 01952  
 PHONE 1-800-648-2872 FAX 1978-462-9189