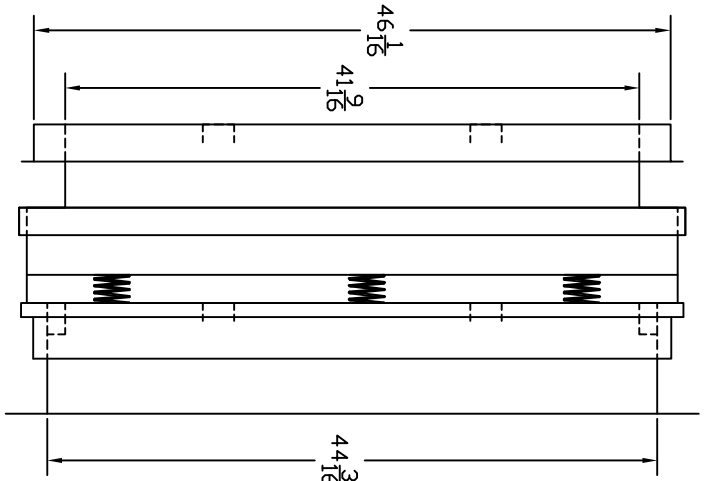
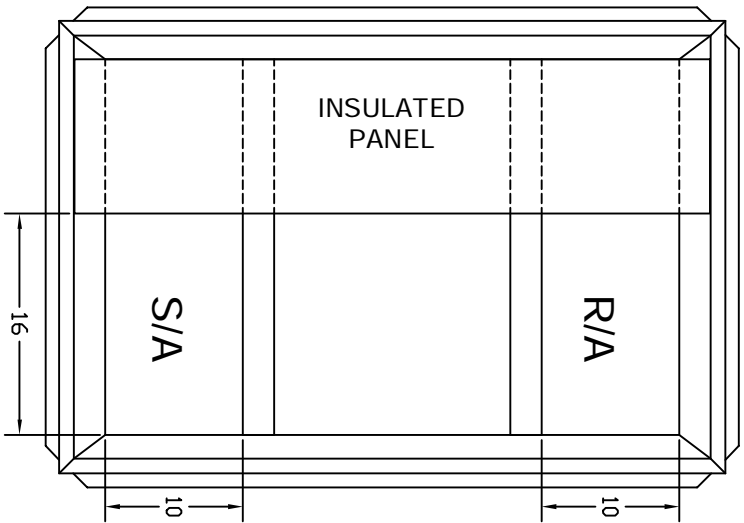
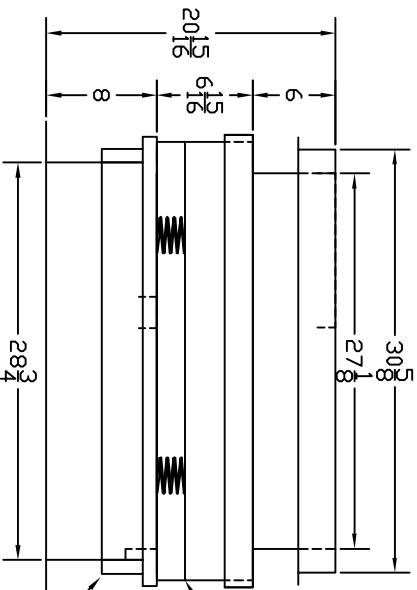


TOP VIEW



RIGHT VIEW

- FEATURES:**
1. CURB AND ISOLATION RAIL SHIPPED FULLY ASSEMBLED
 2. ISOLATION RAIL FABRICATED OF ALUMINUM EXTRUSION
 3. CURB FABRICATED OF HEAVY GAUGE GALVANIZED STEEL
 4. CURB IS WELDED CONSTRUCTION
 5. FULL PERIMETER WOOD NAILER
 6. FULL PERIMETER WEATHER SEAL
 7. DUCT SUPPORT INCLUDED
 8. CANVAS DUCT NOT INCLUDED



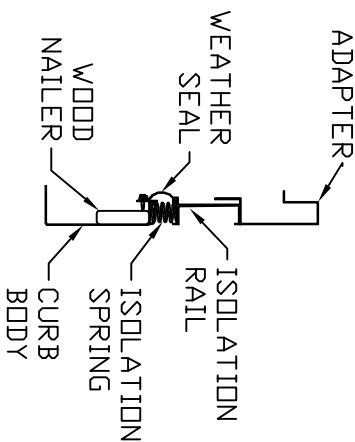
FRONT VIEW

ISOLATION RAIL
6 15/16" OPERATING HEIGHT
WOOD NAILER

Approved: _____

Date: _____

CARRIER : 48ES-A24
ISOLATION CURB W/2" DEFLECTION



SUBMITTAL

THE INFORMATION CONTAINED IN THIS DOCUMENT IS PROPRIETARY TO CAMBRIDGEPORT AIR SYSTEMS. THIS DOCUMENT MAY NOT BE ISSUED TO ANOTHER PARTY WITHOUT PRIOR WRITTEN CONSENT AND AUTHORIZATION. * CAMBRIDGEPORT* AND THE CAMBRIDGEPORT LOGO ARE REGISTERED TRADEMARKS OF CAMBRIDGEPORT AIR SYSTEMS. ALL RIGHTS RESERVED.

TOLERANCES DECIMALS .000 = +/- .063, .00 = +/- .063, .0 = +/- .063 ANGLES +/- 1 DEG FRACTIONS +/- 1/16"

Cambridgeport 1-800-648-2872	
HVAC Accessories & Engineered Systems	
DESCRIPTION	CURB, ISOLATION
CUSTOMER/JOB NAME	SUBMITTAL
JOB#	DATE
SCALE	PAGE
DRAWN BY	DWG #
CHECKED BY	(EWS #)
	1012062