

DATE: _____

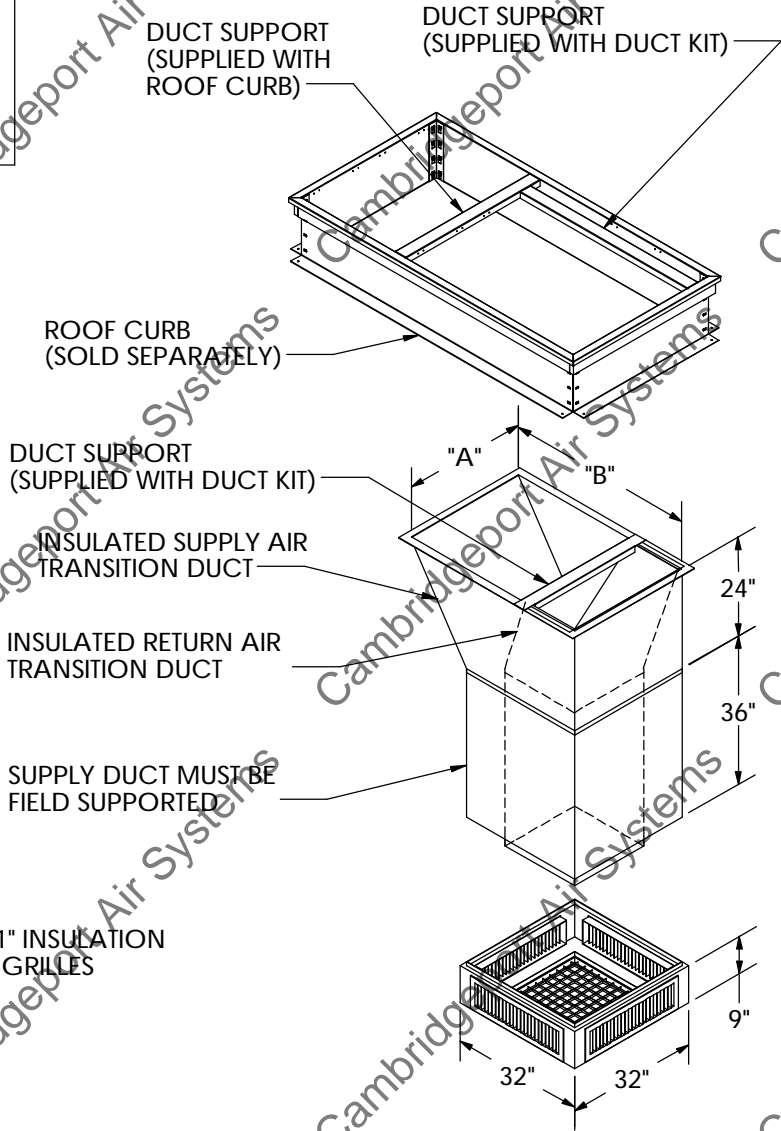
COMPANY: _____

JOB NAME: _____

SUBMITTED BY: _____

NOTES: _____

DROP BOX HARD DUCT SUBMITTAL DATA FOR: LENNOX UNITS TGA060



FEATURES:

DROP BOX SHIPPED ASSEMBLED, INSULATED WITH 1" INSULATION
PAINTED WHITE WITH DOUBLE DEFLECTION SUPPLY GRILLES
AND EGG CRATE RETURN

SUPPLY DUCT INSULATED WITH 1" INSULATION

RETURN DUCT INSULATED WITH 1/2" INSULATION

CAMBRIDGEPORT PART NUMBER	APPLICABLE CURB MODEL NUMBERS	"A"	"B"	SUPPLY GRILL	RETURN GRILL	NOMINAL CFM	THROW IN FT.	
							MIN	MAX
1013637	1007799	30 1/4"	45 7/8"	(4)-24 X 6	20" X 20"	2,000	18'	34'

NOTES:

- DO NOT INSTALL FACTORY SUPPLIED DUCT SUPPORTS UNLESS NOTED IN ASSEMBLY INSTRUCTIONS
- INSTALL CONCENTRIC DUCTWORK BEFORE SETTING A/C UNIT IN PLACE
- PLACE GASKETING ON ALL SURFACES OF DUCT FLANGE AND CURB
- ALIGN CARRIER UNIT SUPPLY OPENING TO MATCH SUPPLY OPENING OF CONCENTRIC DUCT KIT
- FIELD BAFFLES MAY BE REQUIRED FOR BALANCING
- FOR INSTALLATION SEE ASSEMBLY INSTRUCTIONS

Drawn By: CRF
Date: 12/30/08 Rev: 0

Cambridgeport AIR SYSTEMS

MEMPHIS, TN 38118

PHONE 1-877-648-2872 FAX 901-566-0035

SALISBURY, MA 01952

PHONE 1-800-648-2872 FAX 978-462-9189