

Cambridgeport

SUBMITTAL

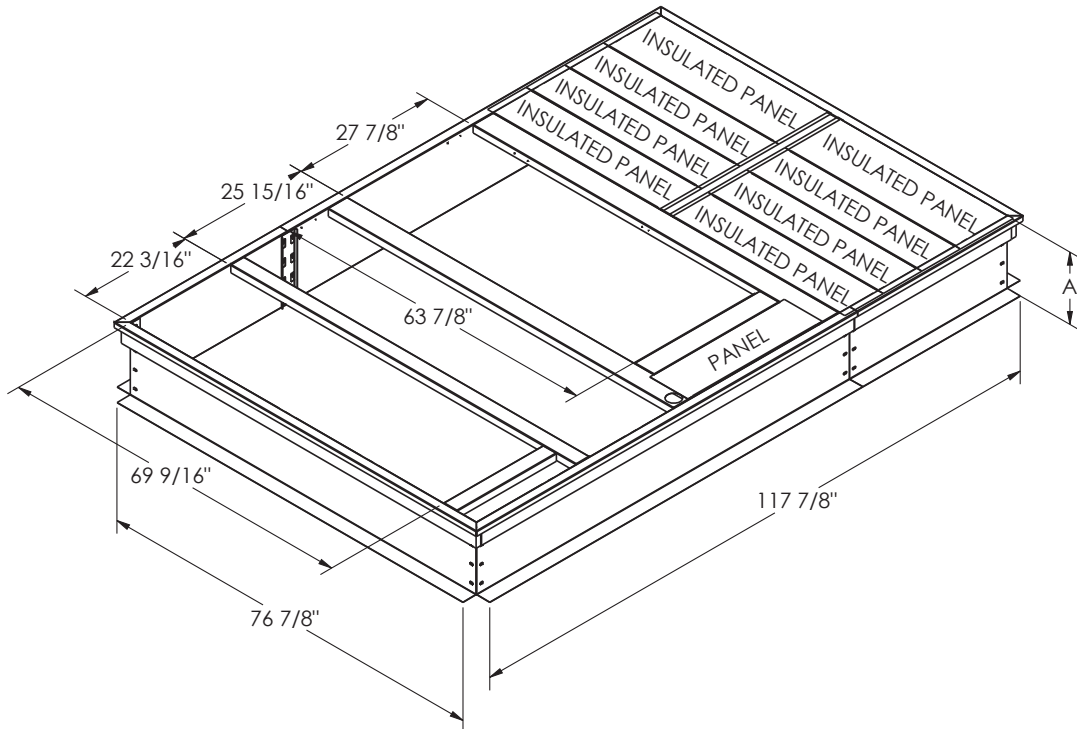
SUBMITTED TO _____
 COMPANY _____
 JOB NAME _____
 EQUIPMENT _____
 SIGNATURE _____
 DATE _____

ROOF CURBS FOR ROOFTOP UNITS

Bryant:
 558J, 580J 17-20
 548J, 581J 17

Carrier:
 48/50TC 17-20
 48/50HC 17

CAS PT#	CAR/BRY PART #	CAS INSULATED PART#	CURB HEIGHT (A")
1014635	CRRFCURB045A00	1014835	14"
1014833		1014836	18"
1014636	CRRFCURB046A00	1014837	24"



FEATURES

- MITERED TOP CORNERS
- ROOF CURB IS FABRICATED OF 18GA G90 GALVANIZED STEEL
- FULL PERIMETER WOOD NAILER
- PRE-PUNCHED ASSEMBLY HOLES AND HARDWARE INCLUDED FOR -DUCT SUPPORT INSTALLATION
- ROOF CURB IS SHIPPED UNASSEMBLED
- * CURBS ARE INTERNALLY INSULATED WITH 1" THICK 1-1/2 LB DENSITY DUCT LINER

