

Cambridgeport

SUBMITTAL

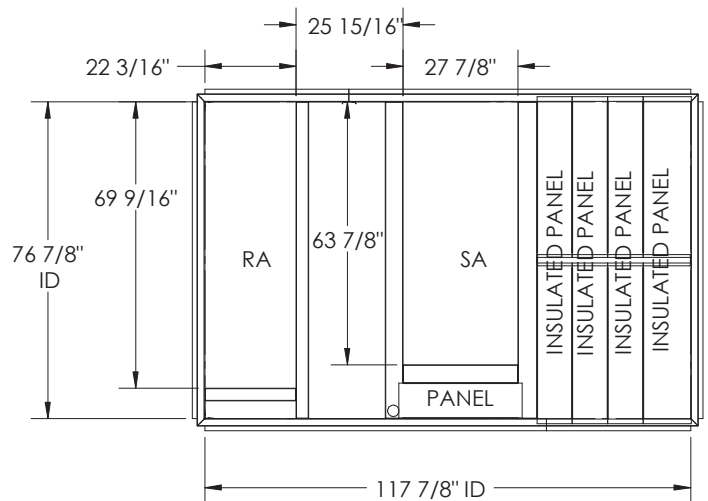
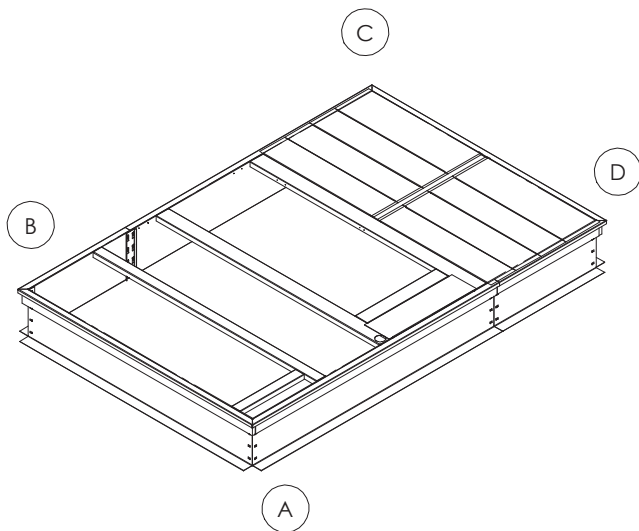
SUBMITTED TO _____
 COMPANY _____
 JOB NAME _____
 EQUIPMENT _____
 SIGNATURE _____
 DATE _____

SLOPE ROOF CURBS FOR ROOFTOP UNITS

Bryant:
 558J, 580J 17-20
 548J, 581J 17

Carrier:
 48/50TC 17-20
 48/50HC 17

DESCRIPTION	PART#
Sloped up to 2" per Ft.	1014839
Sloped 2" up to 3" per Ft.	1014840



FEATURES

- MITERED TOP CORNERS
- ROOF CURB FABRICATED OF HEAVY GAUGE GALVANIZED STEEL
- FULL PERIMETER WOOD NAILER
- PRE-PUNCHED ASSEMBLY HOLES AND HARDWARE INCLUDED FOR -DUCT SUPPORT INSTALLATION
- ROOF CURB IS SHIPPED UNASSEMBLED

HEIGHT OF CORNER A	HEIGHT OF CORNER B	HEIGHT OF CORNER C	HEIGHT OF CORNER D