

© 2007 COX ENGINEERING DBA CAMBRIDGEPORT AIR SYSTEMS.
 THE INFORMATION CONTAINED IN THIS DOCUMENT IS PROPRIETARY TO
 COX ENGINEERING COMPANY DBA CAMBRIDGEPORT AIR SYSTEMS.
 THIS DOCUMENT OR THE INFORMATION CONTAINED IN WHOLE OR IN PART
 MAY NOT BE ISSUED TO ANOTHER PARTY WITHOUT WRITTEN CONSENT AND
 AUTHORIZATION FROM CAMBRIDGEPORT.

Approval Block

Date: _____
 Company: _____
 Job Name: _____
 Approved By: _____
 Notes: _____

BURGLAR BARS SUBMITTAL # 1014848

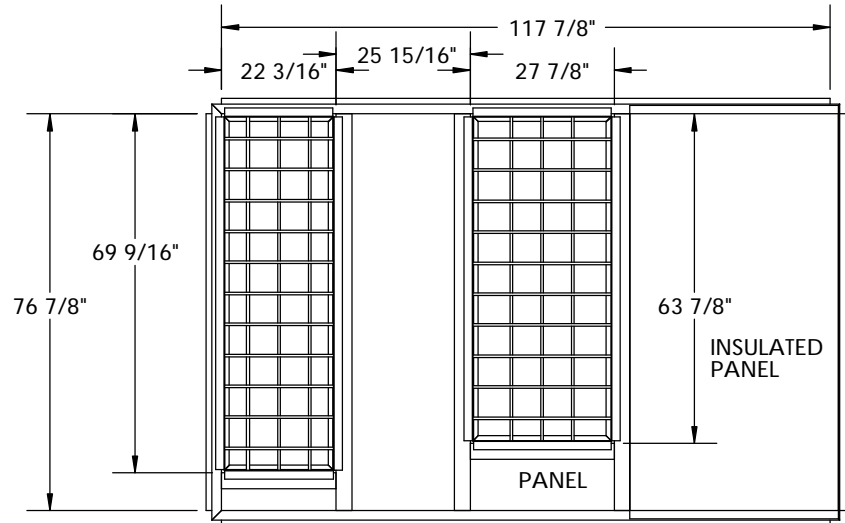
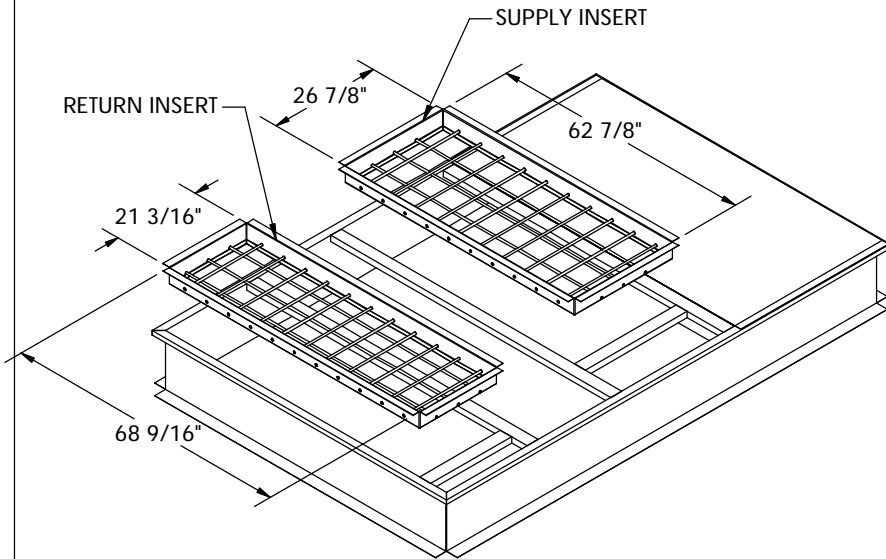
CARRIER CRRFCURB045A, 47A, 49A-BB

1014848

Drawn Date: 12/1/2009 Rev.

Drawn By: CDM

Estimated Weight: 601.59 LBS.



FEATURES:

1. BURGLAR BAR INSERTS ARE FABRICATED OF GALVANIZED STEEL AND 1/2" STEEL ROD
2. INSERTS ARE A ONE-PIECE WELDED CONSTRUCTION
3. ALL WELDS ARE SPRAYED WITH GALVANIZED COMPOUND

NOTE: DISTANCE BETWEEN STEEL RODS IS NOT GREATER THAN 6 INCHES

Cambridgeport

NORTH 8 Fanaras Drive Salisbury Industrial Park Salisbury MA 01952	1-800-648-2872 1-877-648-2872	SOUTH 3529 Lamar Ave. Lamar Industrial park Memphis TN 38118
---	----------------------------------	---

HVAC Accessories & Engineered Systems