

DATE: _____
 COMPANY: _____
 JOB NAME: _____
 SUBMITTED BY: _____
 NOTES: _____

ADJUSTABLE ROOF CURB SUBMITTAL #1014855

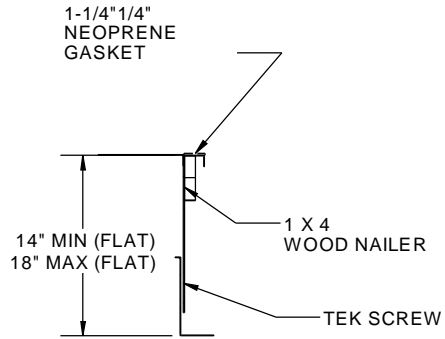
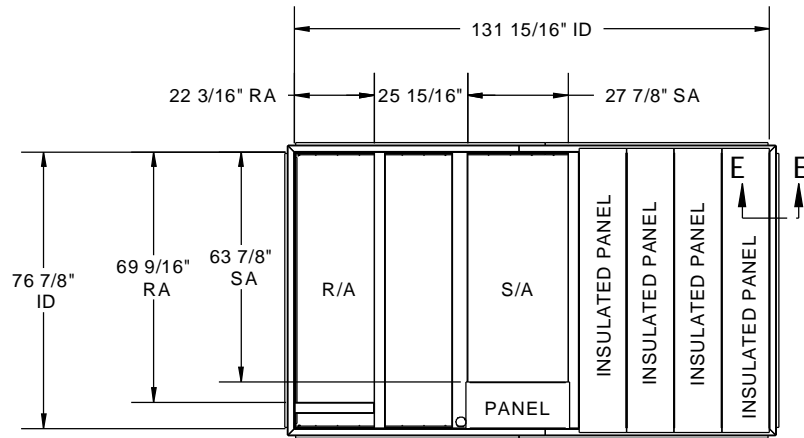
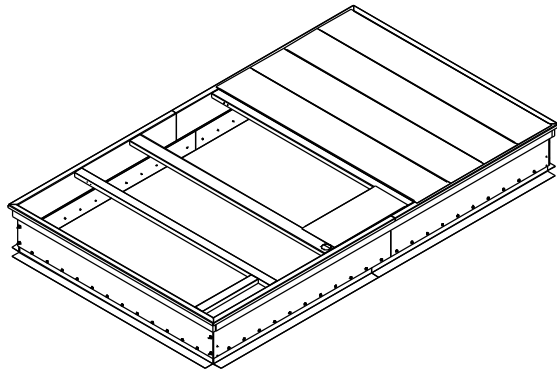
Carrier 47A

ADJ. CURB ASSEMBLY NUMBER
 1014855

REV: _____

Drawn By: CDM
 Drawn Date: 9/23/09

ESTIMATED WEIGHT: 324.54 LBS.



FEATURES:

- FULLY ADJUSTABLE HEIGHT AND PITCH
UP TO 1" PER FOOT IN ANY DIRECTION
- MITERED TOP CORNERS
- ROOF CURB BODY IS FABRICATED OF HEAVY
GAUGE GALVANIZED STEEL
- FULL PERIMETER WOOD NAILER
- PRE-PUNCHED ASSEMBLY HOLES AND HARDWARE
INCLUDED FOR DUCT SUPPORT INSTALLATION
- ROOF CURB IS SHIPPED KNOCKED DOWN

© 2007 COX ENGINEERING COMPANY
 DBA CAMBRIDGEPORT AIR SYSTEMS. ALL RIGHTS RESERVED

Cambridgeport

AIR SYSTEMS, INC.

SALISBURY, MA 01952

PHONE 1-800-648-2872 FAX 1978-462-9189